

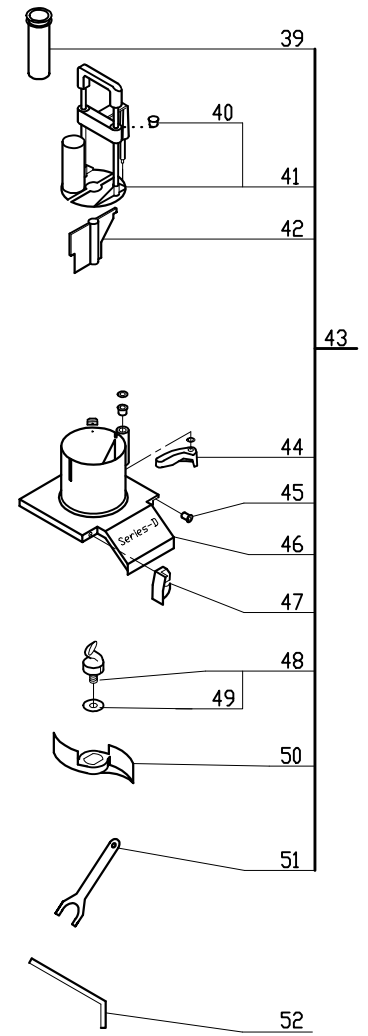
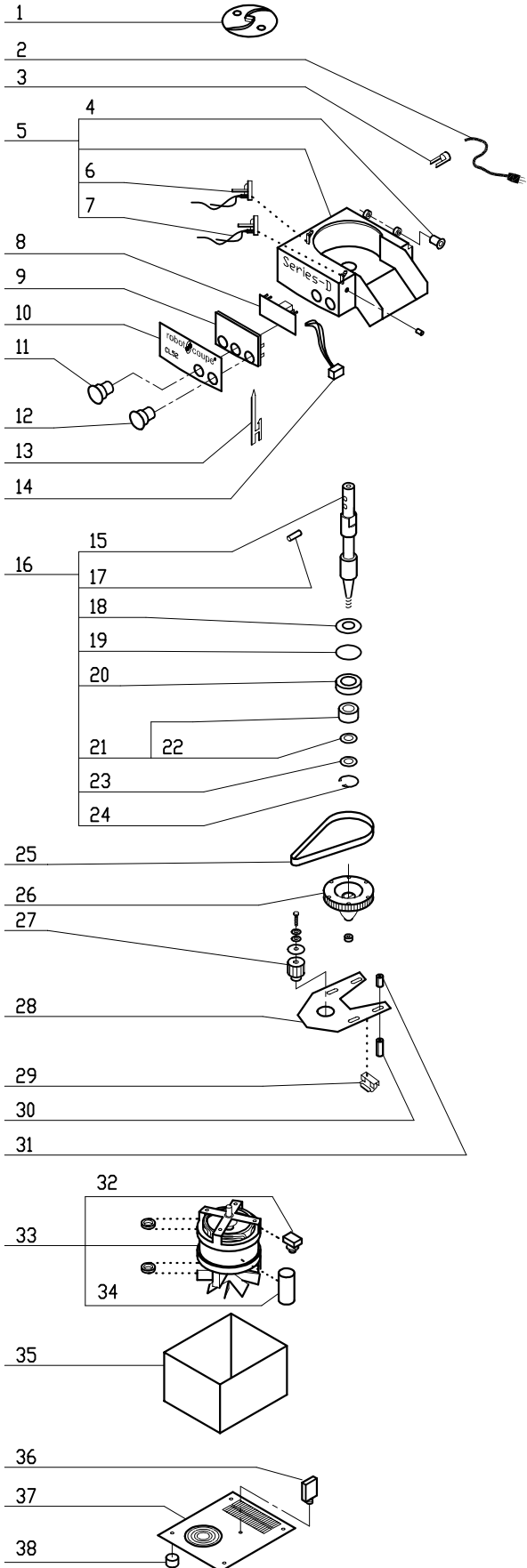
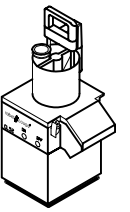
CL52 Series D

Series D Machines # 194011203T-01 and up

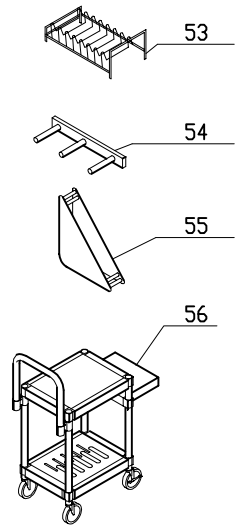
1 Speed, 120 Volt, 1 Phase, 60Hz., 3/4 HP.

425 RPM, 12 Amps

Use Series-D Plates.



ACCESSORIES



Use only cutting plates listed on the "Series D" Chart.



CL52 #1

INDEX	REF.	DESIGNATION	Pricelist in : USD
1	102690	(K)Discharge Plate	
2	R496	Cord W/Plug (R4X,S,P,Y)	
3	507122	(M)Cord Strain Relief	
4	CL523	Hinge Pin Bushing	
5	29628	(M)Upper Housing W/Chute	
6	29451	(K)Magnetic Switch Assy	
7	29451	(K)Magnetic Switch Assy	
8	102480	(K)Control Board	
9	29533	(K)Mount Spacer for Control Board	
10	406516	Description NA	
11	502170	(K)On Switch (Green)	
12	502169	(K)Off Button (Red)	
13	117703	(K)Control Board Retaining Pin	
14	29599	(K)Control Wire Connector	
15	118380	(M)Shaft Only	
16	29693	(M)Drive Shaft Assy	
17	CL592	Shaft Pin	
18	203107	(K)Seal Protector	
19	504219	(K) O Ring 42x2, CL50D	
20	507063	(K)Bearing/Upper	
21	29630	(K)Bearing Assy, Lower	
22	203109	(K)Thrust Bushing	
23	203132	(K)Washer	
24	203108	(K)Bushing	
25	C411N	Belt	
26	117682	(K)Shaft Pulley,75 Teeth	
27	29530	(K)Motor Pulley	
28	117689	(K)Motor Support Plate	
29	506176	(M)Capacitor Relay	
30	29741	(K)Support Plate Brace	
31	117691	(K)Base Brace	
32	117692	(K)Support Plate Brace	
33	R3009U	Relay MTRPH - 16/39	
34	303081	(M)Motor Assy	
35	501599	(L) Capacitor	
36	118430	(L)Base Cover	
37	RB497	15amp Breaker (CSA)	
38	117687	(L)Bottom Cover	
39	R402F	Foot (French)	
40	118324	(L)Small Pusher	
41	29691	(L)Pusher Bushing	
42	118428	(L)Pusher Assy	
43	118008	(L)Removable Divider	
44	29694	* (L)Feed Lead Assy	
45	29705	(M)Magnet Safety Arm	
46	CL523	Hinge Pin Bushing	
47	118427	(L)Feed Lead	
48	29501	(K)Lock for Feed Cover	
49	29692	(M)Cabbage Plate Lock Nut	
50	R609A	Washer, Plastic	
51	117802	(M)Discharge Vane	
52	118436	(M)Lock Nut Wrench	
53	CL520	Hinge Pin	
54	R255	* Plate Rack	
55	CL575	* Plate Rack (wall mount)	
56	R475	* Plate Rack (Individual)	
57	R199	* Robo-Cart	