

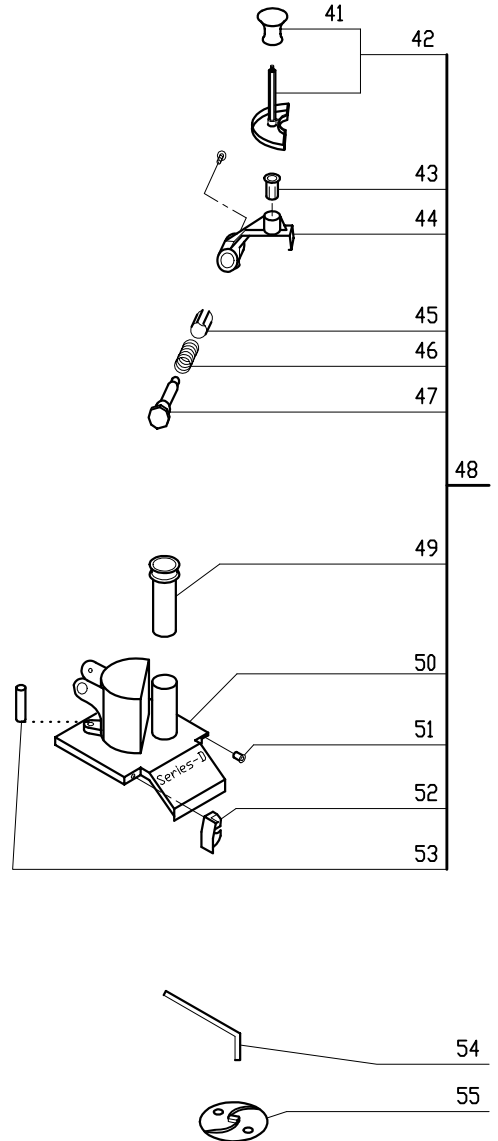
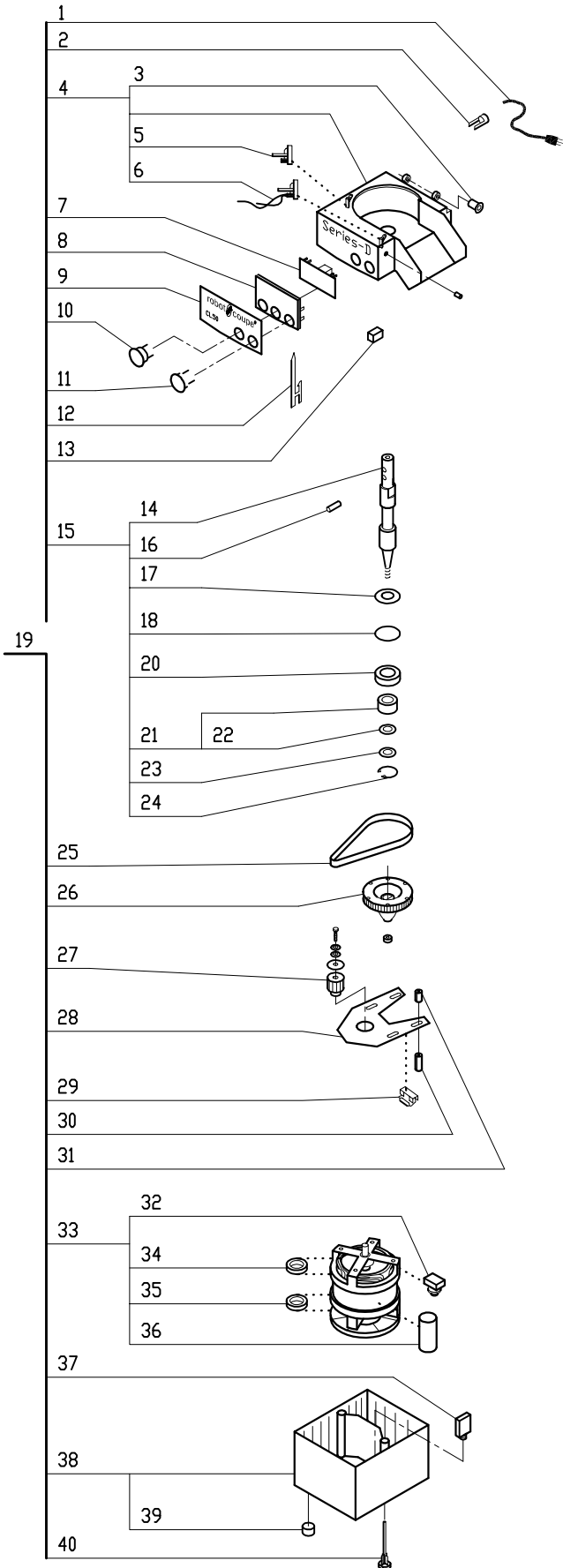
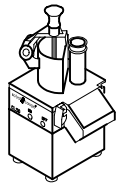
CL50 Series D

Series D Machines # 190011103T-01 and up

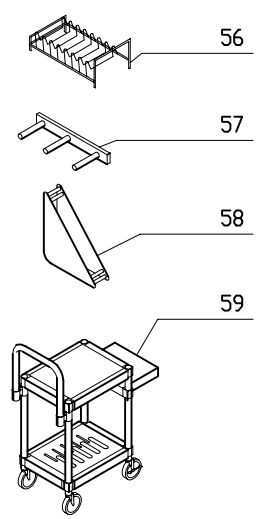
1 Speed, 120 Volt, 1 Phase, 60Hz., 1/2 HP.

425 RPM, 12 Amps

Use Series-D Plates.



ACCESSORIES



Use only cutting plates listed on the "Series D" Chart.



CL50 #2

INDEX	REF.	DESIGNATION	Pricelist in : USD
1	R240	Cord with Plug	
2	507122	(M)Cord Strain Relief	
3	CL523	Hinge Pin Bushing	
4	29628	(M)Upper Housing W/Chute	
5	29451	(K)Magnetic Switch Assy	
6	29451	(K)Magnetic Switch Assy	
7	102480	(K)Control Board	
8	29533	(K)Mount Spacer for Control Board	
9	406860	(K) Front Data Plate, CL50D	
10	502170	(K)On Switch (Green)	
11	502169	(K)Off Button (Red)	
12	117703	(K)Control Board Retaining Pin	
13	29599	(K)Control Wire Connector	
14	118373	(K)Shaft Only	
15	29629	(K)Shaft Assy	
16	CL592	Shaft Pin	
17	203107	(K)Seal Protector	
18	504219	(K) O Ring 42x2, CL50D	
19	29790	(K) Motor Base Assy (CL50D)	
20	507063	(K)Bearing/Upper	
21	29630	(K)Bearing Assy, Lower	
22	203109	(K)Thrust Bushing	
23	203132	(K)Washer	
24	203108	(K)Bushing	
25	C411N	Belt	
26	117682	(K)Shaft Pulley,75 Teeth	
27	29530	(K)Motor Pulley	
28	117689	(K)Motor Support Plate	
29	29741	(K)Support Plate Brace	
30	117691	(K)Base Brace	
31	117692	(K)Support Plate Brace	
32	R3009U	Relay MTRPH - 16/39	
33	3115	(K)Motor Assy, Cap & Relay	
34	R1715	6201 Bearing	
35	R1715	6201 Bearing	
36	R3012U	Capacitor/180MF 120/160	
37	RB497	15amp Breaker (CSA)	
38	29740	(K)Base	
39	CL502	Foot	
40	29782	(K)Base Screw	
41	CL569	Pusher Knob	
42	CL576	Large Pusher Assembly	
43	CL588	Insert, Plastic	
44	29738	(K)Bracket-Pusher Return	
45	100581	(K)Bushing for Spring	
46	CL581	Spring	
47	118374	(K)Pivot, Pusher Return Bracket	
48	29789	(K)Cont. Feed Lead Assy W/Extra Safety	
49	118324	(L)Small Pusher	
50	118376	(D)Cont Feed Lead w/Extra Safety	
51	CL523	Hinge Pin Bushing	
52	29501	(K)Lock for Feed Cover	
53	118377	(K)Extra Safety Rod	
54	CL520	Hinge Pin	
55	102690	(K)Discharge Plate	
56	R255	* Plate Rack	
57	CL575	* Plate Rack (wall mount)	
58	R475	* Plate Rack (Individual)	
59	R199	* Robo-Cart	