

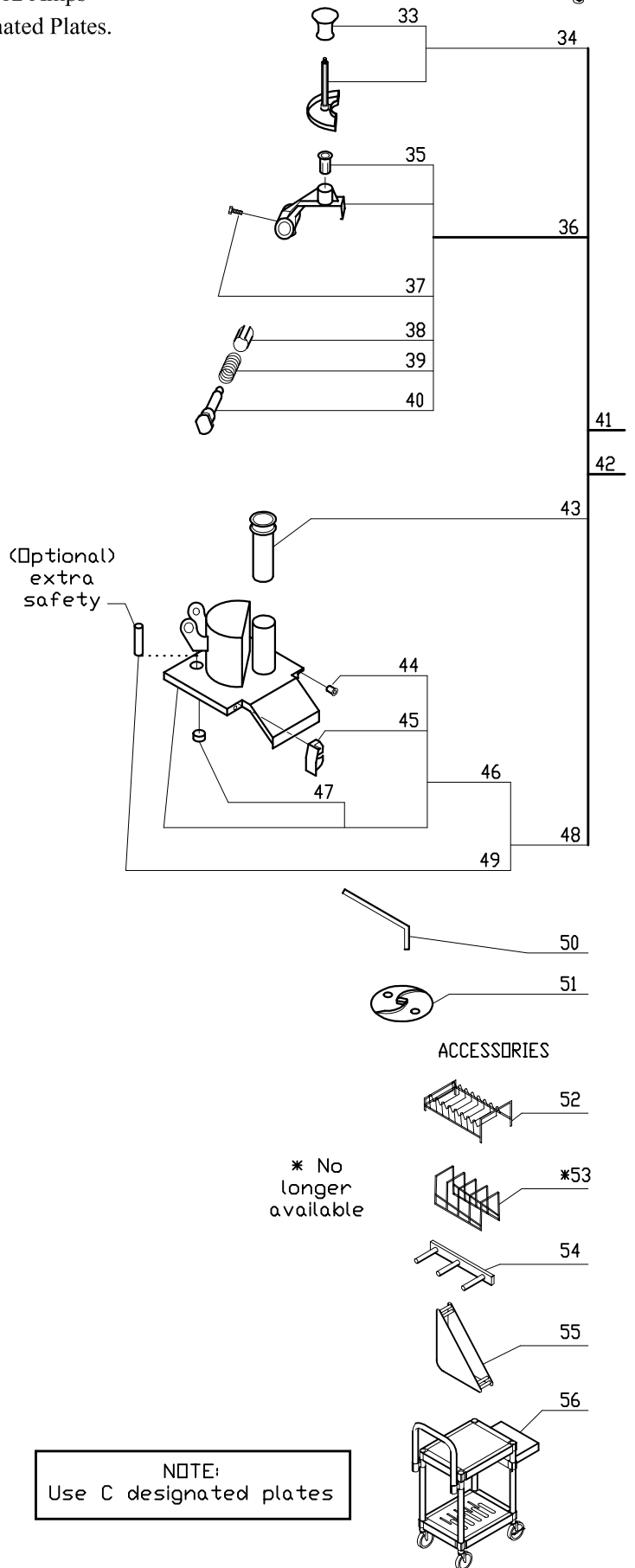
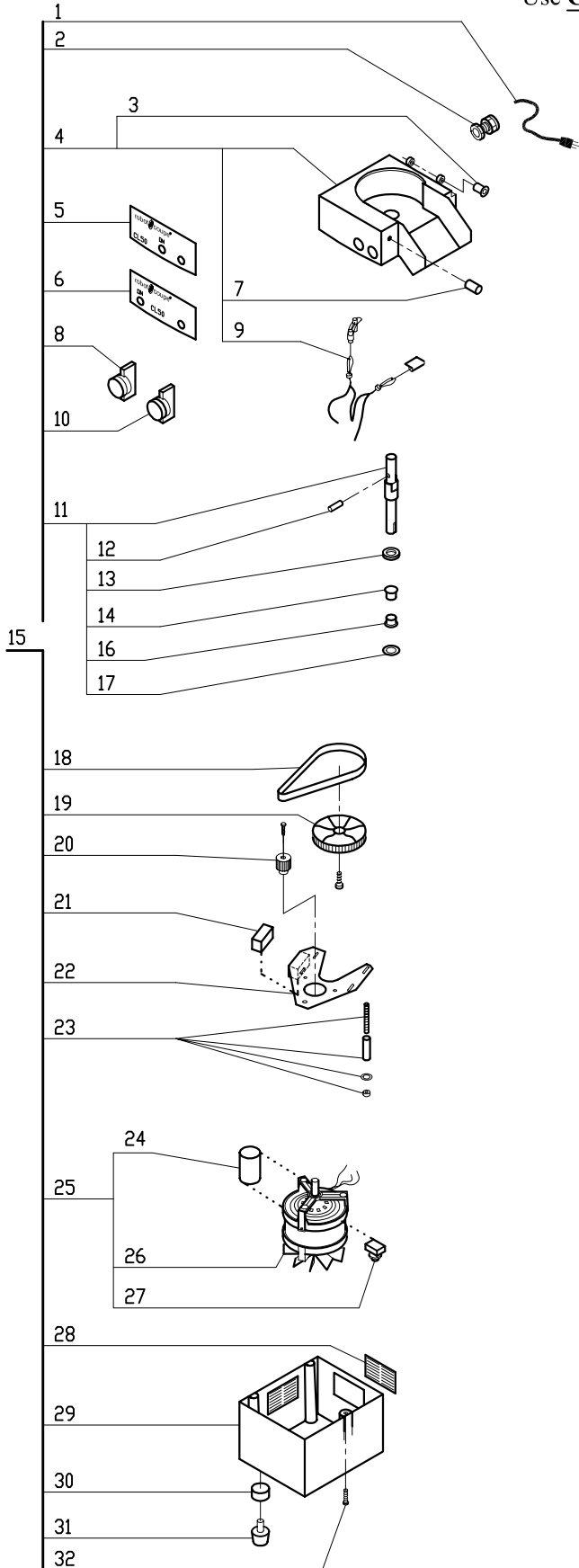
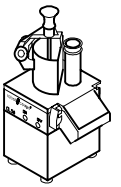
# CL50 Series B

Series B Machines # 98/xxxxx and up

1- Speed, 120 Volt, 1 Phase, 60Hz., 1/2 HP.

425 RPM, 12 Amps

Use C Designated Plates.





# CL50 #1

INDEX	REF.	DESIGNATION	Pricelist in : USD
1	R496	Cord W/Plug (R4X,S,P,Y)	
2	RA490	Strain Relief	
3	CL523	Hinge Pin Bushing	
4	CL596	Motor Support/Chute	
5	CL505A	Data Plate	
6	CL505	Front Data Plate	
7	CL573	Stud Bolt, Latch	
8	R3067U	On Push Button/Green	
9	CL540S	Magnetic Switch Assy	
10	R3062U	Off Push Button (Red)	
11	CL503	Shaft Assy.	
12	CL592	Shaft Pin	
13	R611	Motor Support Seal	
14	C415N	Bushing	
15	CL597	Motor Base Assy (CL50)	
16	C415N	Bushing	
17	C4916	Washer,Notched	
18	C411N	Belt	
19	C412MN	Large Pulley (Mlt New)	
20	C410N	Small Pulley	
21	C419	Relay for Switch	
22	CL509	Motor Bracket	
23	CL560A	Spacer Bolt Assy-New	
24	R3012U	Capacitor/180MF 120/160	
25	C406N	Motor	
26	R110.1	Fan Blade Only(R100,CL30,CL50,R300#B)	
27	R3009U	Relay MTRPH - 16/39	
28	CL501.1	Louvre	
29	CL501	Base	
30	CL502	Foot	
31	R402F	Foot (French)	
32	C4902	Base Front Screw	
33	CL569	Pusher Knob	
34	CL576	Large Pusher Assembly	
35	CL588	Insert, Plastic	
36	CL524M	Hinged Bracket Assy, 1 Mag.	
37	CL571	Screw	
38	CL594	Sleeve, Plastic	
39	CL581	Spring	
40	CL580	Pusher Hinge Pin	
41	CL598	Cont Feed Atchmnt Assy	
42	CL598M	Cont Fd Attch Assy	
43	CL585	Small Pusher (167MM)	
44	CL523	Hinge Pin Bushing	
45	CL586A	Latch, upper & lower	
46	CL574	Cont Feed Lead	
47	CL589	Magnet Holder w/Magnet	
48	CL574M	Cont Feed Lead w/Mgt Rod	
49	CL593	Rod, Mag Flux CF Lead	
50	CL520	Hinge Pin	
51	CL572	Discharge Plate	
52	R255	* Plate Rack	
53	R476	No Longer Available	
54	CL575	* Plate Rack (wall mount)	
55	R475	* Plate Rack (Individual)	
56	R199	* Robo-Cart	