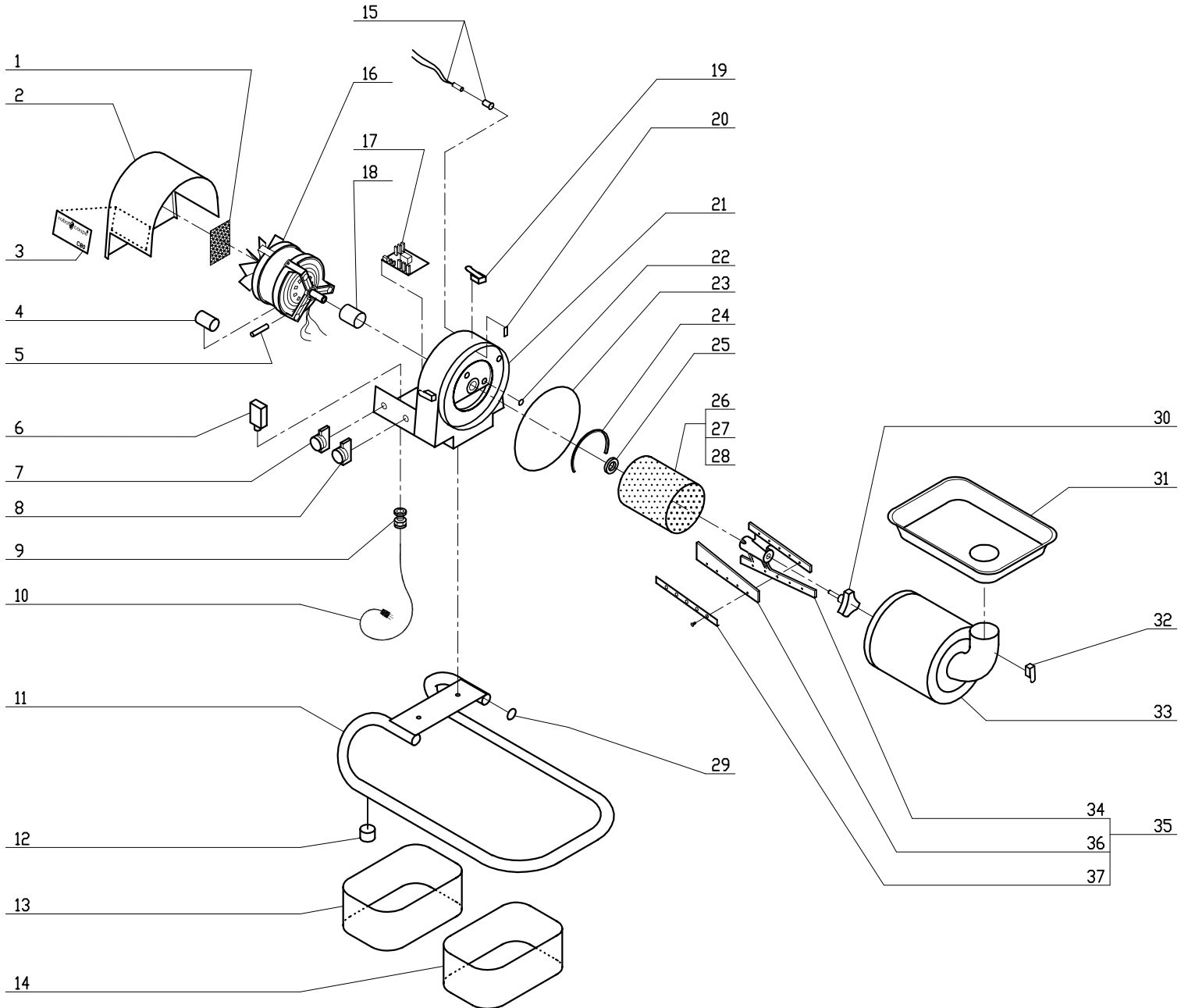
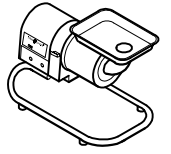


Pulp Extractor and Automatic Seive

1 Speed, 120 Volt, 1 Phase, 60Hz.,
1725 RPM, 12 Amps, 3/4 HP.
(Serial Numbers 39/1005 and up)



INDEX	REF.	DESIGNATION	Pricelist in : USD
1	CJ8033	Screen, Metal	
2	CJ8016	End Plate	
3	CJ8025	Name Plate	
4	R3012U	Capacitor/180MF 120/160	
5	CJ8023	Shaft Pin	
6	RB497	15amp Breaker (CSA)	
7	R3067U	On Push Button/Green	
8	R3062U	Off Push Button (Red)	
9	RA490	Strain Relief	
10	R496	Cord W/Plug (R4X,S,P,Y)	
11	CJ8002	Motor & Basket Support	
12	CJ8026	Foot	
13	CJ8009N	Container, Plastic	
14	CJ8009N	Container, Plastic	
15	29053	Description Not available	
16	CJ8022	Motor (110V)	
17	CJ8037	Circuit Board	
18	CJ8028	Ring	
19	CJ8035N	Clip	
20	CJ8031	Clip	
21	CJ8001	Motor Housing w/Base	
22	CJ8027	Screw Cover	
23	502443	Description Not available	
24	CJ8034N	Seal, MS/Housing	
25	R234S	Motor Support Seal (RCSA)	
26	CJ8032	Basket, Perforated(.5mm)	
27	CJ8007	Perforated Basket (1MM)	
28	CJ8030	Perforated Basket (3MM)	
29	500559	Description Not available	
30	CJ8006	Knob, Tool Securing	
31	CJ8011N	Feed Hopper (New Style)	
32	CJ8010.1N	Tray Securing Clip	
33	CJ8010N	Housing Perforated Bask.	
34	CJ8029	Rotating Tool(Brckt Only	
35	CJ8004	Rotating Tool Assembly	
36	CJ8005	Wipe Blade, Rotat Tool	
37	CJ8008	Reinforc Strip, Wipe Bld	