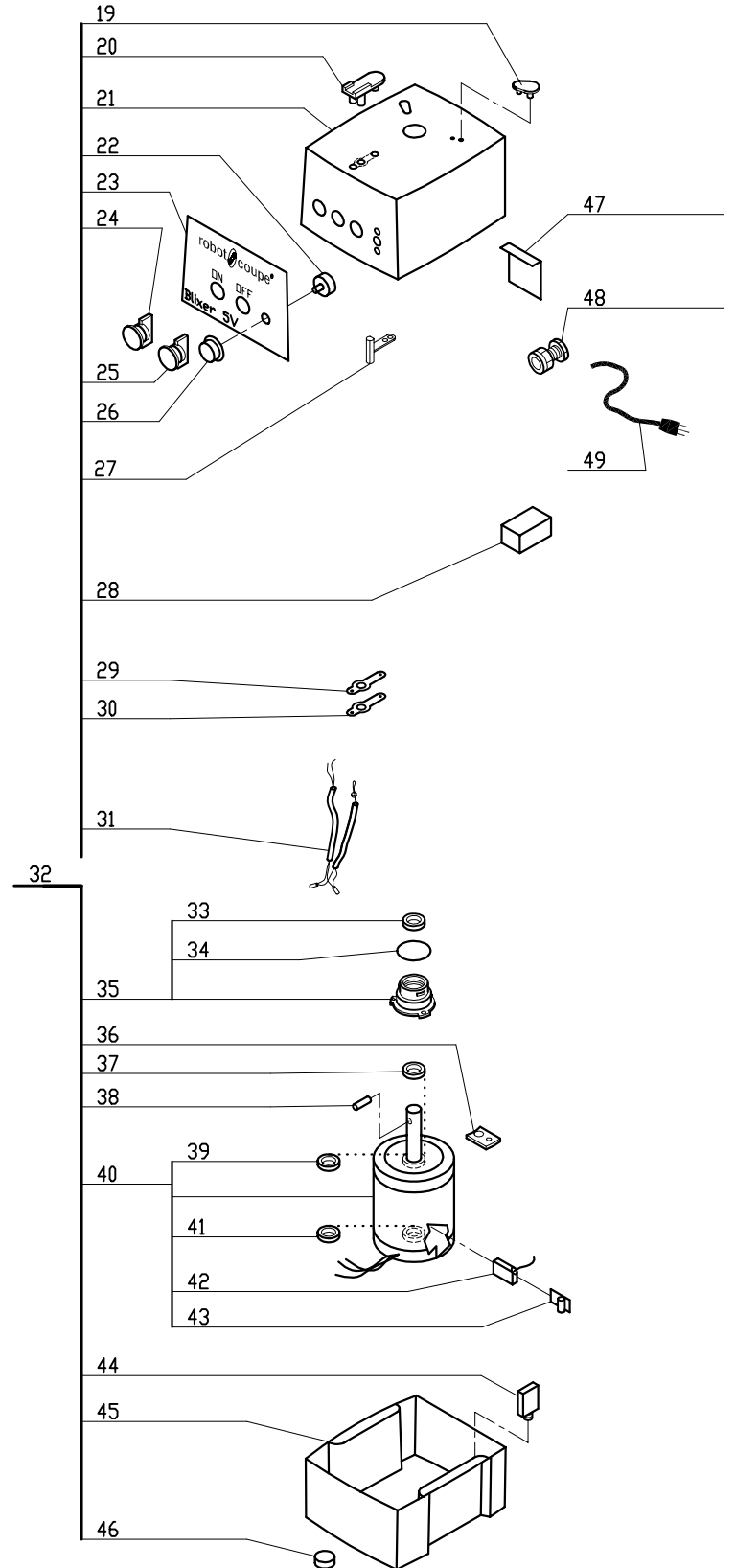
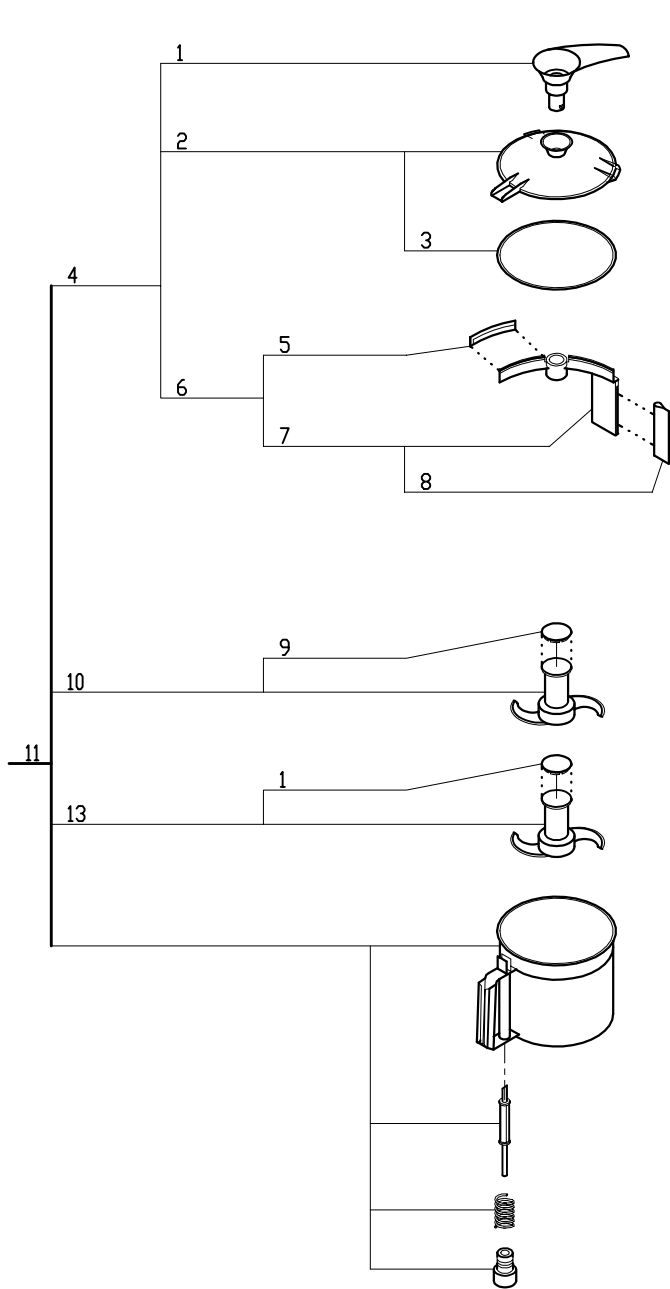
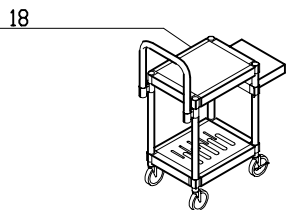


# Blixer 5V

Serial Numbers 242xxxxx03 and up  
 Variable Speed, 120 Volt, 1 Phase, 60Hz., 1 HP.  
 370-3450 RPM, 12 Amps



ACCESSORIES





## Blixer 5V

INDEX	REF.	DESIGNATION	Pricelist in : USD
1	BX620.1	Handle	
2	RA420	Lid	
3	RA451	Seal,Lid	
4	BX421	Lid W/Blade Wiper Assy.	
5	BX620.3	Horizontal Wipe Blade	
6	BX420	Wipe Blade Holder W/Wipers	
7	BX420.4	Wiper Blade Holder W/Vertical Wiper	
8	BX420.5	Vertical Wiper	
9	BX422.1	Cap	
10	BX422	* Blixer Blade(Fine) 4 Quart	
11	BX450	* 4qt. Blixer Bowl Assy	
12	BX422.1	Cap	
13	BX422A	* Blixer Blade (Coarse) 4 Quart	
14	BX452	Blixer Bowl Only 4 qt.	
15	RA424.2	Pin, Bowl	
16	RA424.3	Spring, Bowl Pin	
17	RA424.4	Nut For Bowl Pin	
18	R199	* Robo-Cart	
19	RA443	Pad,Rear	
20	RA441	Support/Pad,Front	
21	RA406	Motor Support	
22	RV6043	Speed Control Pot.	
23	408089	(H) Front Data Plate, Blixer5V	
24	RA418	Green "On" Switch Assy	
25	RA419	Red "Stop" Switch Assy	
26	RV614	Switch Knob	
27	102391	(D) Magnetic Switch R6VN Series D	
28	R664S	Relay DPST	
29	RA441.1	Gasket	
30	RA441.2	Metal Plate	
31	C420	Mag Swtch w/Hse (single)	
32	BXV470	BX4V Motor Base Assy	
33	R611	Motor Support Seal	
34	RA489	O Ring, Seal Support	
35	RA467	Seal Assembly (Seal Support)	
36	RA455	Plate, Motor Mounting	
37	R604S	Seal, Motor	
38	R492A	Shaft Pin (new style)	
39	R662	Bearing, Motor Top	
40	RVA604	Motor Only (New Style R6VN)	
41	R1540	Bearing (6206)	
42	RVA604.2	Brush	
43	RVA604.3	Spring, Brush	
44	RB497	15amp Breaker (CSA)	
45	RA493	Base	
46	RA402	Foot	
47	RV6041	PC Board W/Switch	
48	RA490	Strain Relief	
49	R496	Cord W/Plug (R4X,S,P,Y)	