

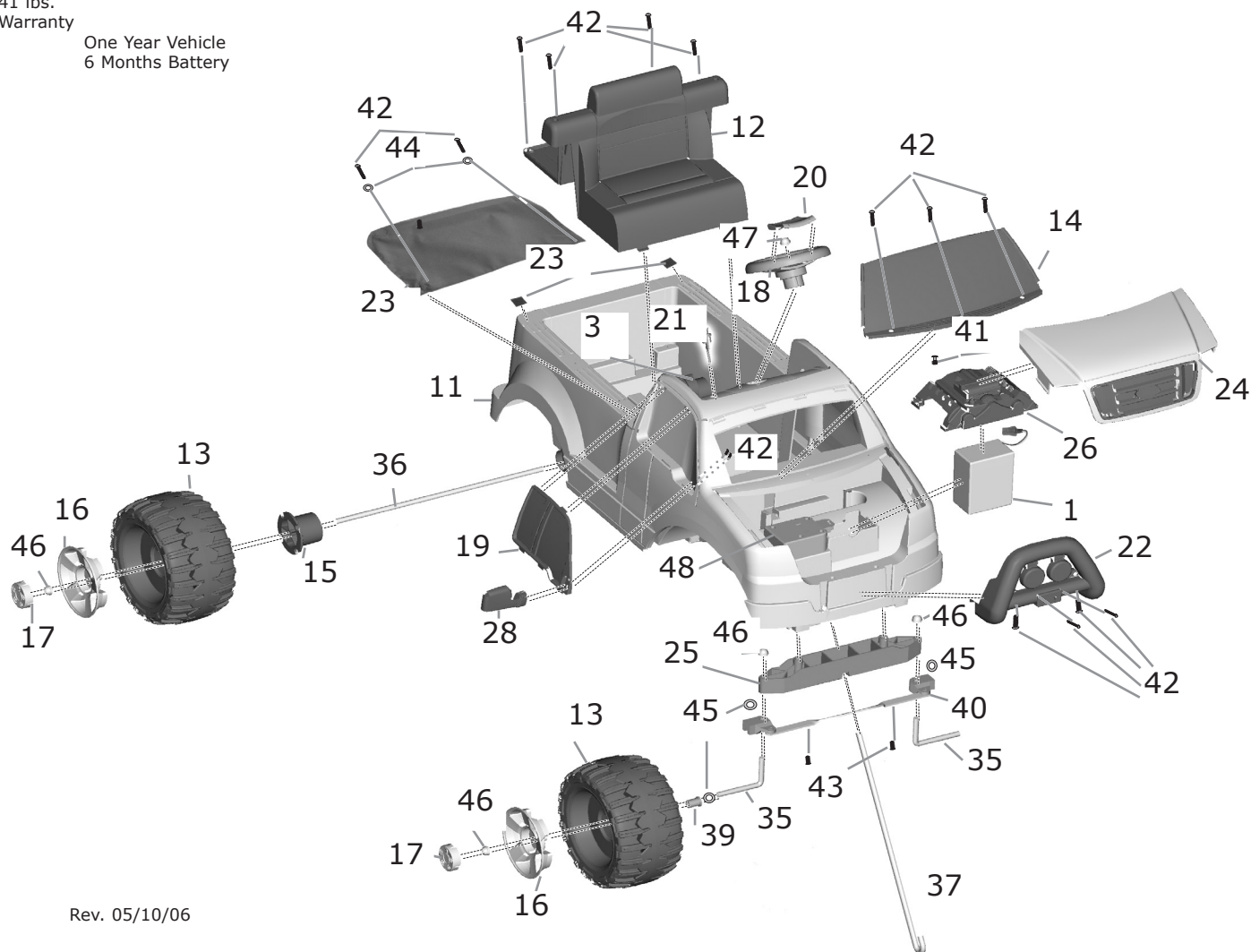
Age Range: 2-6 Years
 Weight Limit: 65 LBS.
 Surfaces: Hard Surfaces & Grass
 Speed: 3.5 mph For/Rev
 Colors: Gray Body
 w/Black Wheels & Seat
 Intro: 2004
 Suggested Retail: 159.99
 Box Dimensions:
 21.75 x 18.12 x 47.00
 41 lbs.
 Warranty



C3493

Ford F-150 S6V Preschool Series

One Year Vehicle
 6 Months Battery



Rev. 05/10/06

Item No.	Description	Part No.	Qty. Item	Part	No. Qty.	Description	No.						
Electrical Parts-<u>SHOWN</u>				28.	Mirror Lens -Right	3800-7345	1						
1.	S6V Battery w/Internal Fuse	00801-0712	1	Parts Not Shown									
3.	Motor Gearbox Assembly	74180-95192	1	Large Parts Bag				C3493-9459	1				
Plastic / Other Parts				Hardware / Metal Parts				C3493-9439	1				
11.	Body	N/A	1	35.	Front Axle	C3493-4529	2	C3493-0920	1				
12.	Seat	C3493-2329	1	36.	Rear Axle	C3493-4519	1	Owners Manual	C3493-0920	1			
13.	Wheel	C3493-2459	4	37.	Steering Column	C3493-4329	1	Main Decal Sheet	C3493-0310	1			
14.	Windshield Assembly	3800-7331	1	39.	Bushing	73610-2689	2	Small Decal Sheet	C3493-0320	1			
15.	Wheel Driver	74460-2249	2	40.	Steering Linkage	C3493-9319	1	Cap Nut Tool	78640-2629	1			
16.	Hubcap	C3493-2079	4	41.	1" Bolt N/A	0801-0273	2	PW Emblem	74460-9069	1			
17.	Hubcap Cover	C3493-2089	4	(Order Hardware Bag)			0912-8001	17	Mirror Lens-Left	3800-7344	1		
18.	Steering Wheel	C3493-2379	1	42.	8 x 3/4 Screw	0912-8001	17	Electrical Parts-<u>NOT SHOWN</u>					
19.	Right & Left Window (Bagged)	3800-7471	1	43.	12-32 x 1 1/4 Screw N/A	N/A	2	Gearbox W/out Motor			74550-9279	2	
20.	Steering Wheel Cover	C3493-2729	1	(Order Hardware Bag)			0801-0195	2	Motor Pinion Assembly			74580-9539	2
21.	Key Housing	C3493-9049	1	44.	3/16 Washer N/A	0801-0195	2	Footswitch (Plunger Type)			00801-0933	1	
22.	*Brushguard	C3493-9469	1	45.	7/16 Washer	0801-0196	4	Main Harness Assembly			C3493-9799D	1	
23.	*Tonneau w/Fasteners	C3493-5509	1	46.	.437 Cap Nut	0801-0226	7	Control Switch F/R			00801-0885	1	
24.	Hood/Grill	3800-7346	1	47.	.354 Cap Nut	0801-0604	2	Footboard Assembly			C3493-2289	1	
25.	Steering Linkage Cover	C3493-2279	1	48.	Battery Retainer Assembly	75548-9409	1	S6V Charger			00801-0974	1	
26.	Pretend Motor	C3493-2159	1										

N/A = Not

Bold and Underlined parts are to be purchased and installed by Service Centers only. These items may not be sold directly to consumers by Service Centers or Fisher-Price. *Brushguard and Tonneau cover were eliminated after 12/1/05.