

B0155-9993

Fire Rescue Jeep

Advanced Series 12 Volt

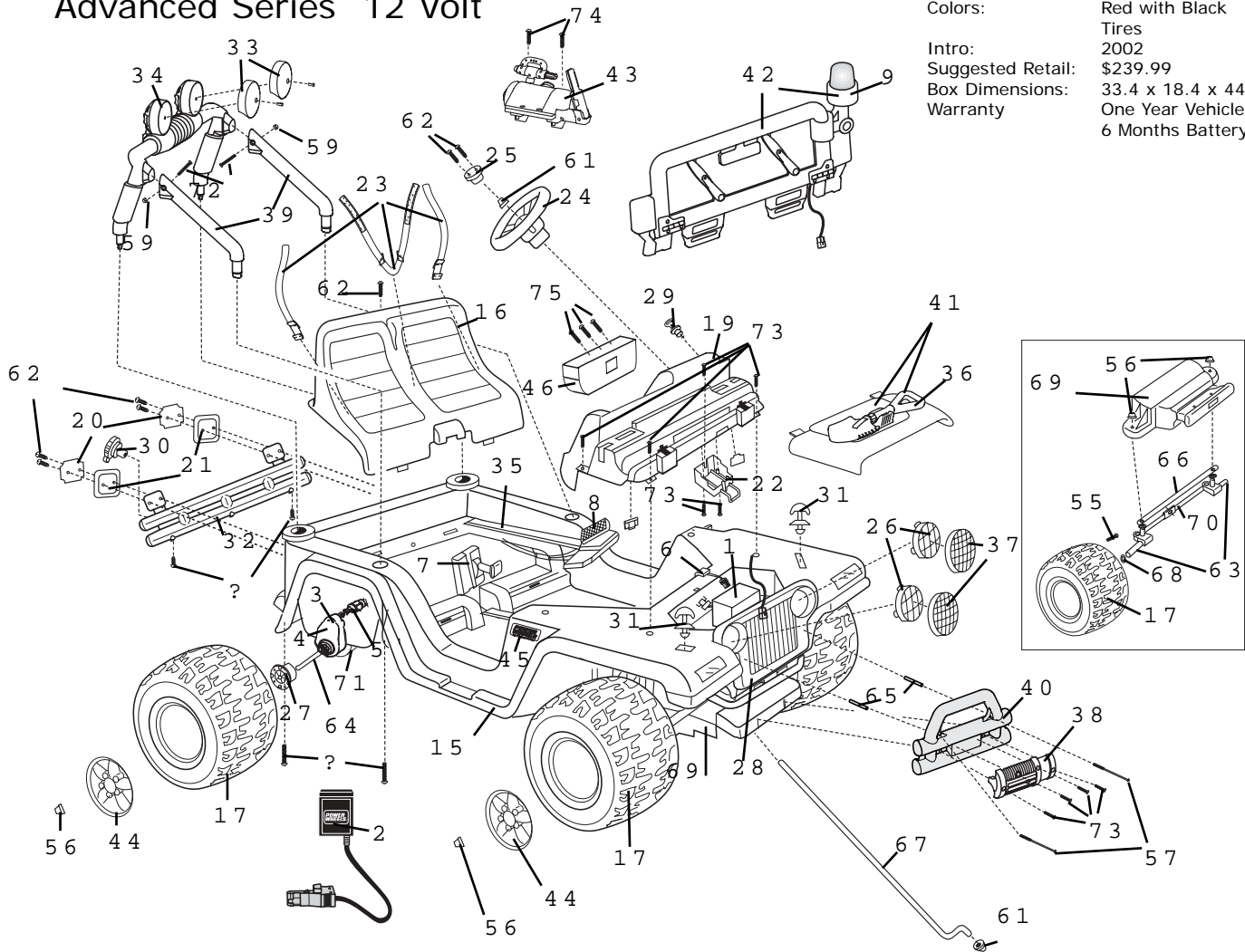


Age Range: 3-7 years
 Weight Limit: 130 lbs
 Surfaces: Hard and grass
 Speed:

2.5 and 5.0 Forward
 2.5 Reverse

Colors: Red with Black
 Tires

Intro: 2002
 Suggested Retail: \$239.99
 Box Dimensions: 33.4 x 18.4 x 44.8
 Warranty: One Year Vehicle
 6 Months Battery



Item No.	Description	Part No.	Qty. Item	Part	No. Qty.	Description	No.
Working / Electrical Parts							
1	12V Battery	00801-0638					
2	Charger fused charger (probe)	00801-0972	1				
3	Motor Gearbox Assembly	00968-2909	2				
4	Gearbox W/out Motor	00968-2805	2				
5	Motor Pinion Assembly	00968-2701	2				
6	Main Harness Assembly	78490-9699	1				
7	Shifter Assm.	74310-9239	1				
8	Footboard Assm.	75840-9829	1				
9	Light Assm.(bulb & light harness)	B0155-9479	1				
Plastic / Other Parts							
15	Body N/A	B0155-2909	1				
16	Seat	78490-2319	1				
17	Wheel	74460-2459	4				
19	Dash w/sound unit	3800-7131	1				
20	Lens Set Taillight	73233-2279	1				
21	Housing Set Taillight	73233-2759	2				
22	Battery Retainer Box Assm	74020-9819	1				
23	Seat Belt (3 Pc)	74310-5339	1				
24	Steering Wheel	74440-2379	1				
25	Steering Wheel Cap	74550-2729	1				
26	Headlight Lens Blue	74440-2879	2				
27	Wheel Driver	74460-2249	2				
28	Grill Black	74460-2849	1				
29	Key Housing Assm.	74765-9369	1				
30	Gas Cap	75597-2089	1				
31	Hood Latch Assm.	78490-9559	2				
32	Rear Bumper	B0155-2039	1				
33	Light Cover	B0155-2069	2				
34	Rollbar	B0155-2219	1				
35	Channel cover	B0155-2289	1				
36	Shovel	B0155-2449	1				
37	Headlight Guard	B0155-2539	2				
38	Winch	B0155-2649	1				
39	Sportbar Support	B0155-2769	2				
40	Brushguard	B0155-2789	1				
41	Hood with Shovel	B0155-9129D	1				
42	Windshield with Light Assm (includ bulb & light harness)	B0155-9609D	1				
43	Water Cannon Assm.	B0155-9809	1				
44	Hubcap	B1501-2579	4				
45	PW Emblem	74460-9069	2				
46	Sound Box	B0155-9419	1				
Hardware / Metal Parts							
55	Washer 7/16	0801-0196	2				
56	Cap Nut Black .437	0801-0226	4				
57	Trusshead screw 8x7/8	0801-0228	2				
58	#12 x 1.25 N/A	0801-0260	2				
59	nylock nut 5/16	0801-0601	2				
60	5/16 5 1/2 hex bolt N/A	0801-0605	2				
61	Retainer red .354	0801-0960	2				
62	Screw #8 3/4	0912-8001	9				
63	Front Axle	74440-4509	2				
64	Rear Axle	74440-4519	1				
65	Spacer Brushguard	74460-2069	2				
66	Crossbar	74460-4419	1				
67	Steering column	74526-4129	1				
68	7/16 Round Bushing	74550-2689	2				
69	Module N/A	B0155-2919	1				
70	Steering Linkage Assm.	74440-9419A	1				
71	Rear Module N/A	B0155-2929	1				
72	Screw 8 32 x 1.625 N/A	00801-0604	2				
73	#10 12 x 1 Panhead Screw N/A0801-1256	10					
74	#10 24 x 1 Screw N/A	00801-1266	2				
(Order hardware bag)							
75	#8 3-18 3/4 screw N/A	00405-2073	3				
Parts Not Shown							
	Large Parts Bag	B0155-9269	1				
	Small Parts Bag	B0155-9259	1				
	Hardware Bag	B0155-9289	1				
	Owners Manual	B0155-0920	1				
	Decal Sheet	B0155-0310					
	Footswitch Plunger	00801-0933	1				
	Adhesive clip (Harness)	0801-0313	1				
	Wire Clip	B0155-4489	1				
	Switch Control (Shifter-Rocker)	00801-0923	1				

N/A = Not Available

Bold and Underlined parts are to be purchased and installed by Service Centers only. These items may not be sold directly to consumers by Service Centers or Fisher-Price.