

Age Range: 1-3 years  
 Weight Limit: 40 lbs.  
 Surfaces: Hard Surfaces  
 Speed: 2 mph  
 Colors: Blue Body/Black Wheels  
 Intro: 2012  
 Suggested Retail: \$89.99  
 Box Dimensions: 26.250 x 13 x 16.375  
 17 lbs  
 Warranty: One Year Vehicle  
 6 Months Battery

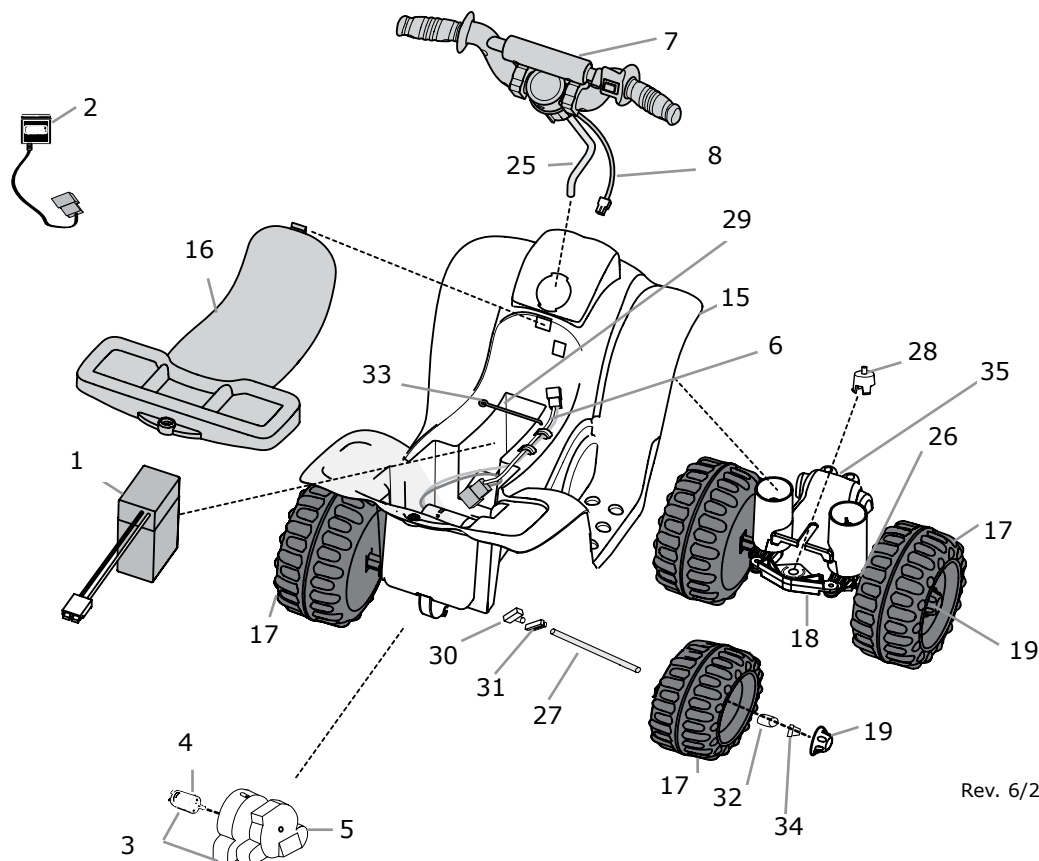


X0075

Batman  
 Lil Quad

PW Toddler Series

6V 4 Amp



Rev. 6/22/10

Item No.	Description	Part No.	Qty	Item No.	Description	Part No.	Qty
<b>Working / Electrical Parts</b>				<b>Hardware / Metal Parts</b>			
1.	6V 4Amp Battery	00801-1900	1	25.	Steering Column	N/A	
2.	6V 4Amp Charger	00801-1781	1	26.	Front Axle	77760-4519	2
<b>3.</b>	<b>Motor Gearbox Assy</b>	<b>00968-3900</b>	<b>1</b>	27.	Rear Axle	77760-4529	1
<b>4.</b>	<b>Motor Assy #10</b>	<b>00968-3700</b>	<b>1</b>	28.	Steering Column Cap	J8473-2359	1
<b>5.</b>	<b>Gearbox Assy #10</b>	<b>00968-3800</b>	<b>1</b>	29.	Battery Retainer	74230-4129	1
<b>6.</b>	<b>Main Wiring Harness</b>	<b>77760-9699</b>	<b>1</b>	30.	Rectangular Bushing w/o extension	M1350-2179	2
7.	Handlebar Assembly w/harness (Includes handlebar harness/switch & steering column)	X0075-9209	1	31.	Rectangular Bushing with extension	76920-2659	2
<b>8.</b>	<b>Handlebar Harness w/switch</b>	<b>3800-7785</b>	<b>1</b>	32.	Wheel Bushing	M1350-2179	4
				33.	8 x 7/8 Trusshead Screw	0801-0228	
				34.	.354 Cap Nut	0801-0604	4
				35.	Brushguard	N/A	
<b>Plastic/Other Parts</b>				<b>Parts Not Shown</b>			
15.	Vehicle w/Seat	N/A	1	Owner's Manual	00989-1082	1	
16.	Seat w/Lock	X0075-6359	1	Label Sheet	X0075-0310	1	
17.	Wheel	77760-2119	4	5/16 Washer	0801-0253	2	
18.	Front Wheel Assembly	X0075-9139	1	<b>Switch Signalux - 2 prong</b>	<b>00801-0697</b>	<b>1</b>	
19.	Hubcap Center	W9981-2349	4	Wrench	00801-1567	1	
				J-Lock Fastener - Black	78570-2439	1	
				PW Emblem	N/A	1	
				3/8" -16 Lock Nut	00905-0116	1	
				Battery Retainer	74230-4129	1	
				Steering Linkage	K0451-9329	1	

Parts Bag 3800-8226 1  
 Handlebar Cover fnt & rear 3900-1239 1  
 Cover Retainer Keeper W9981-2349 1  
 Bushing Retainer Keeper X0075-2129 1

N/A = Not Available

**Bold and Underlined parts are to be purchased and installed by Service Centers only. These items may not be sold directly to consumers by Service Centers or Fisher-Price.**