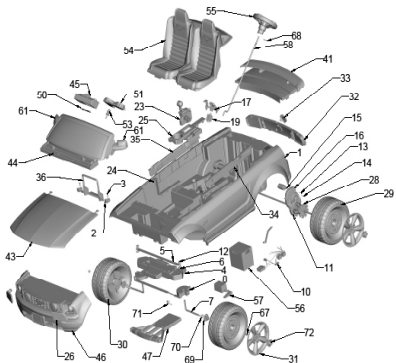


**P6827**  
**GIRLS FORD MUSTANG**  
**12 VOLT ADVANCED SERIES**

|                   |  |
|-------------------|--|
| Age Range:        | 3-7 Years                                  |
| Weight Limit:     | 130 lbs.                                   |
| Surfaces:         | Hard and Grass                             |
| Speed:            | 2.5 MPH Forward/Reverse<br>5.0 MPH Forward |
| Colors:           | Pink Body, Black Wheels                    |
| Intro:            | 2008                                       |
| Suggested Retail: | \$249.99                                   |
| Box Dimensions:   | 30.9 X 18.4 X 51.8 96 LBS                  |
| Warranty:         | One Year Vehicle<br>Six Months Battery     |



| ITEM                   | PART #            | DESCRIPTION                         | QTY  | ITEM                   | PART #     | DESCRIPTION                      | QTY  |
|------------------------|-------------------|-------------------------------------|------|------------------------|------------|----------------------------------|------|
| 1                      | N/A               | BODY                                | 1 EA | 35                     | N/A        | RIGHT INSIDE DOOR                | 1 EA |
| 2                      | N/A               | PIVOT RETAINER                      | 2 EA | 36                     | 3800-7809  | BATTERY RETAINER                 | 1 EA |
| 3                      | N/A               | SCREW, SELF TAPPING                 | 6 EA | 41                     | P6827-2839 | REAR SPOILER                     | 1 EA |
| 4                      | P6827-2119        | FRONT MODULE                        | 1 EA | 43                     | P6827-9459 | HOOD ASSY.                       | 1 EA |
| 5                      | J4390-4009        | CROSS BAR LOWER                     | 1 EA | 44                     | P6827-9709 | WINDSHIELD ASSY.                 | 1 EA |
| 6                      | 0801-0196         | 7/16 FLAT WASHER                    | 2 EA | 45                     | J4390-9619 | SOUNDBOX ASSY.                   | 1 EA |
| 7                      | J4390-4509        | FRONT AXLE                          | 2 EA | 46                     | P6827-9809 | FRONT BUMPER                     | 1 EA |
| 8                      | J4390-9159        | STEERING LINKAGE ASSY.              | 1 EA | 47                     | P6827-2829 | FRONT BUMPER SUPPORT             | 2 EA |
| 10                     | <u>J4390-9799</u> | <u>MAIN WIRING HARNESS</u>          | 1 EA | 50                     | N/A        | BATTERY DOOR ASSY                | 1 EA |
| 11                     | <u>90968-2801</u> | <u>GEARBOX ASSY.</u>                | 1 EA | 51                     | N/A        | SOUNDBOX COVER                   | 1 EA |
| 12                     | 0801-0226         | .437 CAP NUT                        | 2 EA | 53                     | J4390-2649 | KEY                              | 1 EA |
| 13                     | <u>90801-0198</u> | <u>M3-5 X 32MM NYLOK SCREW</u>      | 2 EA | 54                     | P6827-9759 | SEAT ASSY.                       | 1 EA |
| 14                     | N/A               | <u>M3-5 X 32 MM SLOT ROUND SCRF</u> | 1 EA | 55                     | J4390-9769 | STEERING WHEEL ASSY.             | 1 EA |
| 15                     | <u>90968-2707</u> | <u>MOTOR PINION ASSY.</u>           | 2 EA | 56                     | 00801-1460 | 12V BATTERY                      | 1 EA |
| 16                     | <u>90968-2918</u> | <u>MTGBX ASSY.</u>                  | 2 EA | 57                     | 00801-1480 | 12V PROBE CHARGER                | 1 EA |
| 17                     | P6827-9309        | FOOTBOARD ASSY                      | 1 EA | 58                     | J4390-4409 | STEERING COLUMN                  | 1 EA |
| 19                     | <u>90801-1756</u> | <u>SWITCH-ROCKER</u>                | 2 EA | 61                     | 3800-8895  | RIGHT/LEFT MIRROR HOUSING/COVERS | 1 EA |
| 23                     | J4390-9209        | SHIFTER ASSY.                       | 1 EA | N/A                    | N/A        | 3/8"-16 LOCK NUT                 | 2 EA |
| 24                     | J6827-2259        | WIRE COVER                          | 1 EA | 67                     | 00905-0116 | 5/32-X 1 1/2 PIN                 | 1 EA |
| 25                     | N/A               | CENTER CONSOLE                      | 1 EA | 68                     | 0801-1565  | BUSHING                          | 2 EA |
| 26                     | SEE # 46          | HEADLIGHT COVER                     | 2 EA | 69                     | B9785-2229 | WASHER                           | 2 EA |
| 28                     | J4390-2269        | DRIVER                              | 2 EA | 70                     | 0801-0196  | STEERING COLUMN CAP              | 1 EA |
| 29                     | J4390-2279        | LEFT WHEEL                          | 2 EA | 71                     | 00801-1620 | HUBCAP CENTER                    | 4 EA |
| 30                     | J4390-2289        | RIGHT WHEEL                         | 2 EA | 72                     | J4390-2329 |                                  | 4 EA |
| 31                     | J4390-6319        | HUB CAP                             | 4 EA |                        |            |                                  |      |
| 32                     | 3800-8228         | TAILLIGHT ASSY.                     | 4 EA |                        |            |                                  |      |
| 33                     | N/A               | GAS CAP                             | 1 EA |                        |            |                                  |      |
| 34                     | N/A               | LEFT INSIDE DOOR                    | 1 EA |                        |            |                                  |      |
| <b>PARTS NOT SHOWN</b> |                   |                                     |      | <b>PARTS NOT SHOWN</b> |            |                                  |      |
| J4390-4519             |                   | REAR AXLE                           | 1    | J4390-2789             |            | STEERING WHEEL CAP               | 1    |
| P6827-9249             |                   | PARTS BAG                           | 1    | P6827-0310             |            | MAIN DECAL                       | 1    |
| J4390-9269             |                   | HARDWARE BAG                        | 1    | 00801-1518             |            | PW EMBLEM                        | 1    |
| J4390-2479             |                   | EXHAUST PIPE RIGHT                  | 1    | P6827-0920             |            | MANUAL                           | 1    |
| J4390-2909             |                   | EXHAUST PIPE LEFT                   | 1    | <u>90801-1566</u>      |            | <u>FOOTSWITCH</u>                | 1    |
| L6349-5339             |                   | SEATBELT SET                        | 1    |                        |            |                                  |      |
| 00801-1567             |                   | ASSEMBLY TOOL (WRENCH)              | 1    |                        |            |                                  |      |

1/21/2009

**Bold and underlined parts are to be purchased and installed by Service Centers only. These items may not be sold directly to consumers by Service Centers or Fisher-Price.**