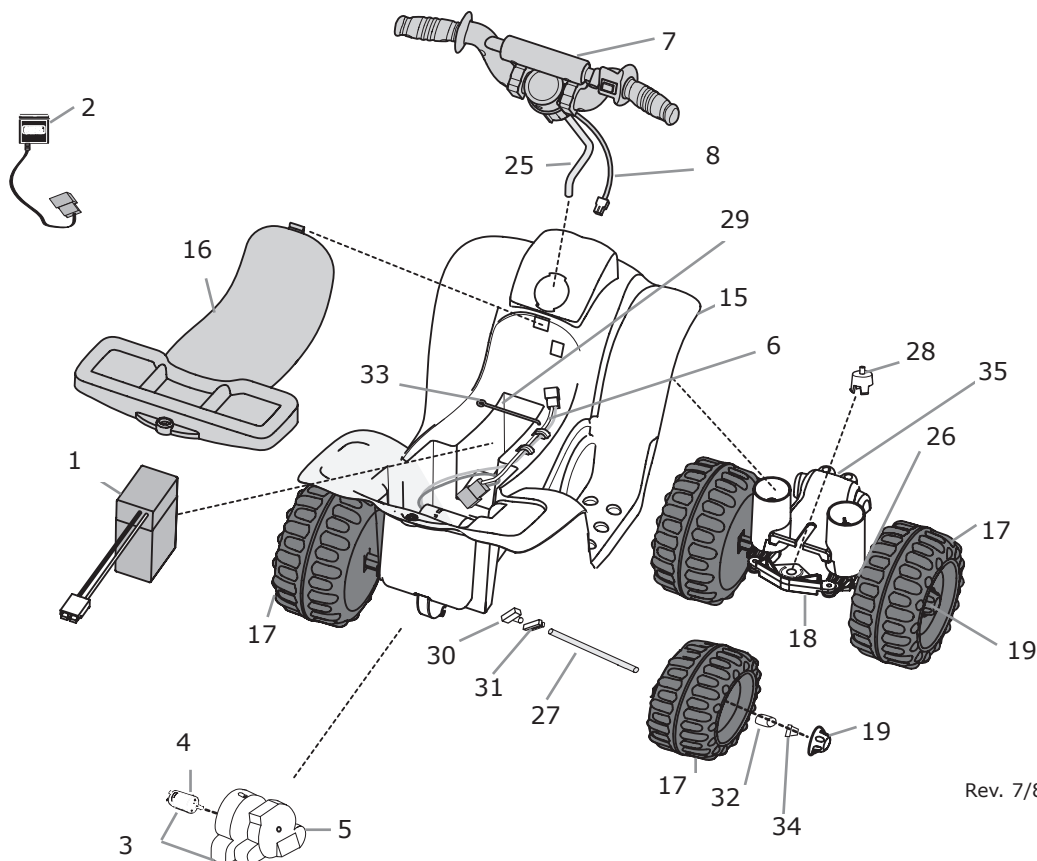


Age Range: 1-3 years
 Weight Limit: 40 lbs.
 Surfaces: Grass/Asphalt/Hard Surfaces
 Speed: 2 mph
 Colors: Pink Body/Purple Wheels
 Intro: 2008
 Suggested Retail: \$79.81
 Box Dimensions: 26.250 x 13 x 16.375
 17 lbs
 Warranty: One Year Vehicle
 6 Months Battery



N2892
 Barbie Princess
 Lil Quad
 PW Toddler Series
 6V 4 Amp



Rev. 7/8/08

| Item No. | Description | Part No. | Qty | Item No. | Description | Part No. | Qty |
|-----------------------------------|--|-------------------|----------|-------------------------------|------------------------------------|-------------|-----|
| Working / Electrical Parts | | | | Hardware / Metal Parts | | | |
| 1. | 6V 4Amp Battery | 00801-1457 | 1 | 25. | Steering Column | J8473-4539A | 1 |
| 2. | 6V 4Amp Charger | 00801-1483 | 1 | 26. | Front Axle | 77760-4519 | 2 |
| 3. | Motor Gearbox Assy | 00968-3900 | 1 | 27. | Rear Axle | 77760-4529 | 1 |
| 4. | Motor Assy | 00968-3700 | 1 | 28. | Steering Column Retainer | J8473-2359 | 1 |
| 5. | Gearbox Assy #10 | 00968-3800 | 1 | 29. | Battery Retainer | 74230-4129 | 1 |
| 6. | Main Wiring Harness | 77760-9699 | 1 | 30. | Rectangular Bushing w/o extension | 74504-2549 | 2 |
| 7. | Handlebar Assembly w/harness (Includes handlebar harness/switch & steering column) | N2892-9209 | 1 | 31. | Rectangular Bushing with extension | 78560-2659 | 2 |
| 8. | Handlebar Harness w/switch | 3800-7785 | 1 | 32. | Bushing Retainer Keeper | M5727-2129 | 4 |
| 15. | Vehicle w/Seat | N/A | 1 | 33. | 8 x 7/8 Trusshead Screw | 0801-0228 | 2 |
| 16. | Seat w/Lock | N2892-6149 | 1 | 34. | .354 Cap Nut | 0801-0548 | 8 |
| 17. | Wheel | N2892-2119 | 4 | 35. | Brushguard | N2892-2139 | 1 |
| 18. | Front Wheel Assembly | N2892-9139 | 1 | Parts Not Shown | | | |
| 19. | Hubcap Center | M5727-2449 | 4 | Owner's Manual | N2892-0920 | 1 | |
| | | | | Label Sheet | N2892-0310 | 1 | |
| | | | | Parts Bag | 3800-8226 | 1 | |
| | | | | 5/16 Washer | 0801-0253 | 2 | |
| | | | | PIC Switch Pushbutton | 00801-0697 | 1 | |
| | | | | Wrench | 00801-1567 | 1 | |
| | | | | J-Lock Fastener - Black | 78570-2439 | 1 | |
| | | | | PW Emblem | 00801-1503 | 1 | |
| | | | | Steering Linkage | K0451-9329 | 1 | |

N/A = Not Available

Bold and Underlined parts are to be purchased and installed by Service Centers only. These items may not be sold directly to consumers by Service Centers or Fisher-Price.