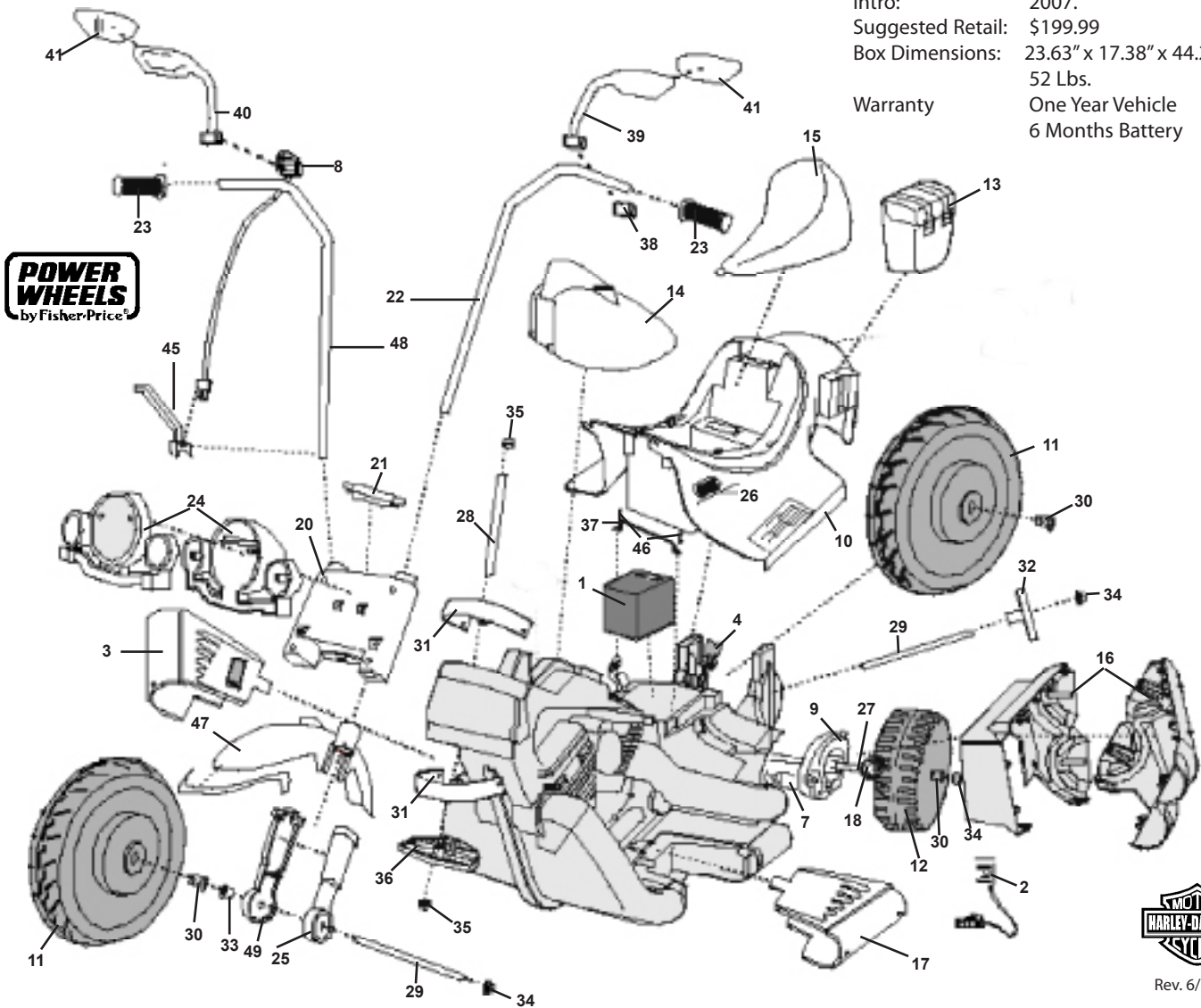


M0412

Harley Cruiser

Advanced Series

Age Range: 3-7 Yrs.
 Weight Limit: 65 Lbs.
 Surfaces: Grass & Hard
 Speed: 2.5 / 5.0 MPH Forward
 2.5 MPH Reverse
 Colors: Red Body
 Chrome Detailing
 Intro: 2007.
 Suggested Retail: \$199.99
 Box Dimensions: 23.63" x 17.38" x 44.25"
 52 Lbs.
 Warranty: One Year Vehicle
 6 Months Battery



Rev. 6/3/08

Item No.	Description	Part No.	Qty.	Item No.	Description	Part No.	Qty.	Item No.	Description	Part No.	Qty.
Working / Electrical Parts											
1	12 Volt Battery	00801-1460	1	23	Handgrip	B9785-2489	2	47	Front Fender	M0412-2139	1
2	12V Charger	00801-1480	1	24	Headlight Lenses	3800-8443	1	48	Right Handlebar	B3160-4029	1
3	Right Footboard Assembly w/switch	M0412-9239	1	25	Left Shock Set	M0412-9121	1	49	Right Shock Set	M0412-9122	1
4	Wiring Harness Assembly	74287-9140	1	26	PW Emblem	00801-1503	1	Parts Not Shown			
6	#7 Motor Gearbox Assm (21T)	00968-2901	2	Hardware / Metal Parts							
7	Motor w/Pinion	74290-9539	2	27	Axle (drive wheel)	74290-4509	1	Decal Sheet	M0412-0310	1	
8	Handlebar Harness	M0412-9759	1	28	Axle (fork)	74290-4529	1	Owner's Manual	M0412-0920	1	
9	Gearbox W/Out Motor (21T)	00968-2801	2	29	Axle (front/rear wheel)	74290-4519	2	Hardware Bag	M0412-9379	1	
Plastic / Other Parts											
10	Body	N/A	1	30	Bushing (hex)	73233-2559	6	Large Parts Bag	M0412-9130	1	
11	Large Wheel	74290-2159	2	31	Bushing (steering)	74370-2359	2	Right Exhaust Set (Inner/outer)	3800-8517	1	
12	Drive Wheel (Small)	74290-2269	2	32	Bearing (axle/silver) (Small Parts Bag)	N/A	2	Control Switch	00801-0873	1	
13	Saddle Bag	74290-2129	2	33	Bushing 7/16" (round/black)	74550-2689	2	PC Board	74287-9729	1	
14	Gas Tank	M0412-2149	1	34	.437 Cap Nut	0801-0226	6	#8 x 1/2" Screw (Hardware Bag)	N/A	5	
15	Seat	74290-2309	1	35	.354 Cap Nut	0801-0604	3	Footswitch	00801-1566	1	
16	Left Exhaust Set (Inner/outer)	3800-8518	1	36	Steering Stop	74370-2369	1				
17	Footboard / Left	M0412-2249	1	37	Battery Retainer (Hardware Bag)	N/A	1				
18	Driver	73233-2239	2	38	Mirror Clamp	75209-2429	2				
20	Upper Fork (Front fork)	M0412-2349	1	39	Mirror Housing Left	75209-2449	1				
21	Fork Cover/clamp	M0412-2669	1	40	Mirror Housing Right	74287-2429	1				
22	Left Handlebar	B3160-4019	1	41	Mirror Lens	75209-2469	2				
				45	Wire Cover	B3160-2439	1				
				46	#8 x 3/4" Screw (Hardware Bag)	N/A	61				

Bold and Underlined parts are to be purchased and installed by Service Centers only. These items may not be sold directly to consumers by Service Centers or Fisher-Price.

N/A = Not Available