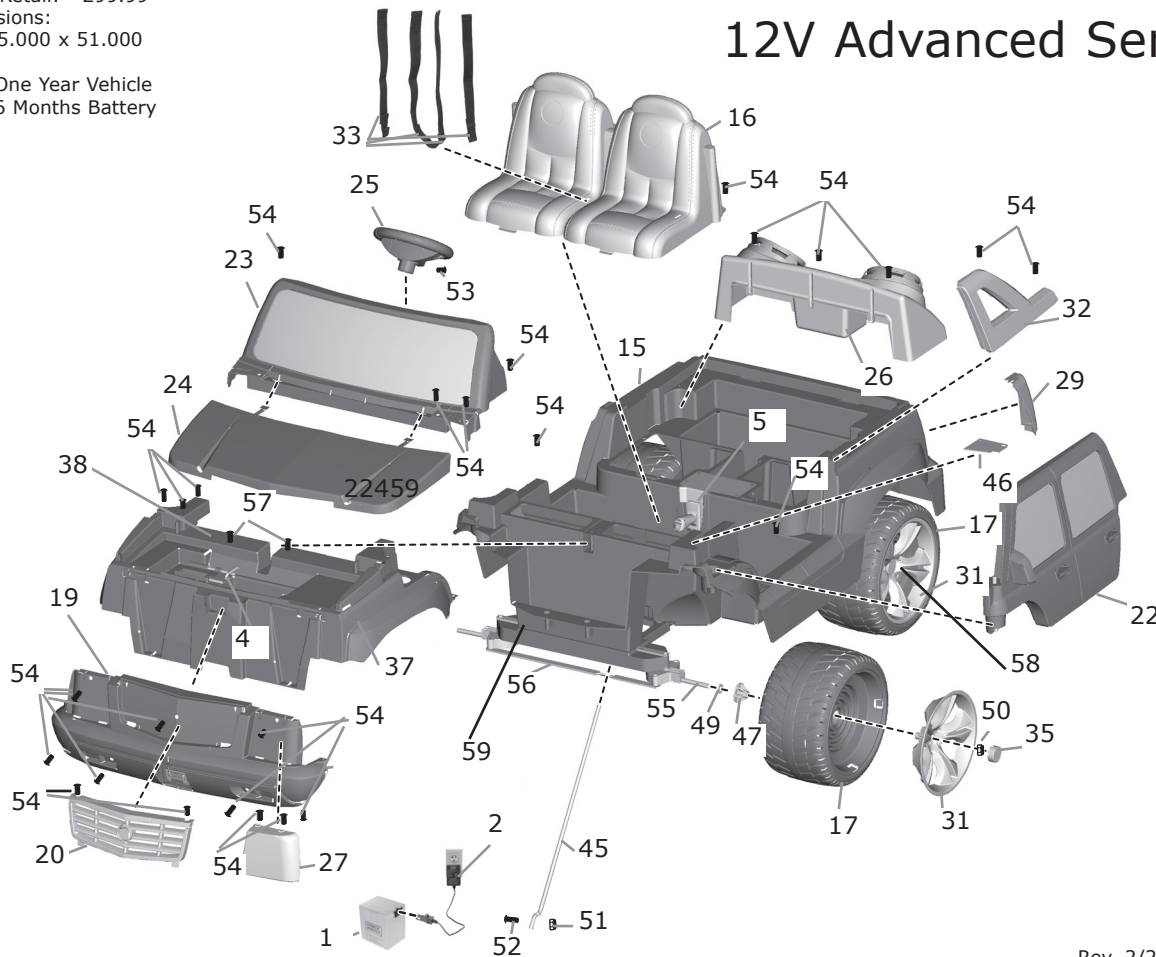


Age Range: 3 and up
 Weight Limit: 130 lbs.
 Surfaces: Grass/
 Asphalt/Hard Surfaces
 Speed: 2.5 For/Rev
 5.0 For
 Colors: Black Body/
 Black Wheels
 Intro: 2007
 Suggested Retail: 299.99
 Box Dimensions:
 24.880 x 35.000 x 51.000
 96 lbs.
 Warranty One Year Vehicle
 6 Months Battery



M0410 Cadillac Escalade TRU Refresh

12V Advanced Series



Rev. 2/25/08

Item No.	Description	Part No.	Qty.	Item No.	Description	Part No.	Qty.	Item No.	Description	Part No.	Qty.
Working / Electrical Parts				38. **Radio w/Microphone				Parts Not Shown			
1.	12V Battery	00801-1460	1	M0410-9319R 1				Parts Bag 3800-8404 1			
2.	12V Charger	00801-1480	1	<i>(Radio replaceable by consumer by ordering part # 23 windshield/dash/radio)</i>				Hardware Bag H0440-9289 1			
4.	Harness Assy	H0440-9799	1	Hardware / Metal Parts				Owner's Manual M0410-0920 1			
5.	Shifter Assy	H0440-9159	1	45.	Steering Column	H0440-4479	1	Decal Sheet M0410-0310 1			
Plastic / Other Parts				46.	Door Plate	3800-8060	2	Footswitch (Plunger) 00801-1566 1			
15.	Body	N/A	1	47.	Bushings	B9785-2229	2	Switch (Shifter/Rocker) 00801-0923 1			
16.	Seat	L7824-2659	1	49.	7/16 Washer	0801-0196	2	Speaker Wiring Harness H0440-9449 1			
17.	Left Wheel	G3740-2409	2	50.	3/8 - 16 Lock Nut	00905-0116	2	Motor Pinion Assy. 00968-2701 2			
19.	Bumper	M0410-9359	1	51.	8-32 Lock Nut	N/A	1	Gearbox 00968-2815 2			
20.	Grille	H0440-6379	1	<i>(Order Hardware Bag)</i>				Motor Gearbox Assy. 00968-2910 2			
22.	Left Door	M0410-9729	1	52.	8-32 x 3/4 Screw	N/A	1	Right Wheel G3740-2419 2			
23.	Windshield/Dash/Radio	M0410-9639	1	<i>(Order Hardware Bag)</i>				Driver 74460-2249 2			
24.	Hood	M0410-2619	1	53.	6 x 1 1/2 Screw	N/A	1	Right Door M0410-9709 1			
25.	Steering Wheel	H0440-9089	1	<i>(Order Hardware Bag)</i>				Assembly Tool 00801-1567 1			
26.	Speaker Box Assy	3800-7757	1	54.	8 x 3/4 Screw	0912-8001	36	Footboard Assy. M0410-9399 1			
27.	Headlights Bagged	3800-7897	1	55.	Front Axle	H0440-4539	2	Lower Crossbar H0440-4419 1			
29.	Taillights Bagged	3800-7898	1	56.	Steering Linkage Assy	H0440-9429	1	Key Assembly H0440-9049 1			
31.	Wheel Cover	G3740-6439	4	57.	1/4 - 1 1/4 Screw	N/A	2	Channel Cover M0410-2259 1			
32.	Wings (Right/Left Bag)	3800-7594	1	<i>(Order Hardware Bag)</i>				Battery Life Indicator J4394-9059 1			
33.	Seatbelt Set	74440-5349	1	58.	.437 Cap Nut	0801-0226	4	Rear Axle H0440-4519 1			
35.	Hubcap	G3740-2429	4	59.	Front Module	M0410-2309	1	High Speed Lock-Out Screw 0801-0198 1			
37.	Front Clip w/Bat Ret	N/A	1					Speaker w/wire H0440-9459 1			
								Steering Wheel Cap H0440-2559 1			

N/A = Not Available

Bold and Underlined parts are to be purchased and installed by Service Centers only. These items may not be sold directly to consumers by Service Centers or Fisher-Price.