

Age Range: 2-6
 Weight Limit: 65 Lbs.

Surfaces: Grass & Hard Surfaces
 Speed: 3.5 Mph Forward/Reverse
 Colors: Yellow Body/Gray Seat
 Black Wheels

Intro: 2006
 Suggested Retail: 199.00
 Box Dimensions:
 17.880 x 30.375 x 40.250 - 42 Lbs.
 Warranty One Year Vehicle
 6 Months Battery

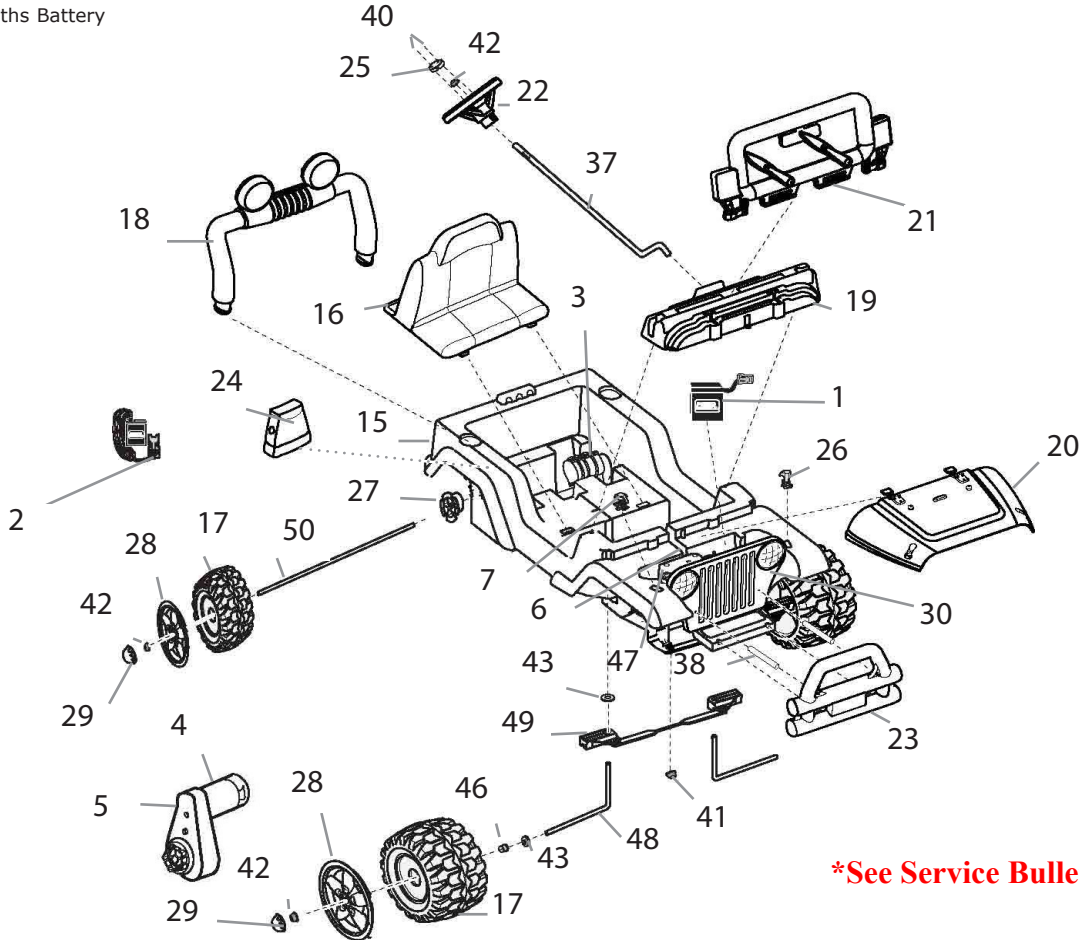


K4564-TRU

Diego Jeep Wrangler

Preschool Series

Super 6 Volt



***See Service Bulletin # 179**

Item No.	Description	Part No.	Qty.	Item No.	Description	Part No.	Qty.	Item No.	Description	Part No.	Qty.
Working / Electrical Parts											
1.	Super 6V Battery	00801-0712	1	30.	Grill	K4564-9849	1	10 x 1 Screw NLA	00801-1256	10	
2.	Super 6V Charger	00801-0974	1	Hardware / Metal Parts							
3.	Motor Grbox Assy. 74180-9519 2			*37.Steering Column (10/9/06 and after)							
4.	Motor Pinion Assy 74580-9539 2			42.	437 Cap Nut	K4564-4239	1	.437 Long Bushing	73610-2689	2	
5.	Gearbox Assy 74550-9279 2			43.	7/16 Washer	0801-0196	4	Headlight Lens (Blue)	74547-2279	2	
6.	Main Harness Assy.73610-9569 1			46.	7/16 Rnd/Axle Bush	74550-2689	2	*5/32 x 1 1/2 Pin	00801-1565	1	
7.	Control Switch	00801-0885	1	47.	Battery Retainer Assy	75548-9409	1	Updated 01/12/07			
Plastic / Other Parts											
15.	Body	N/A		48.	Front Axle	H4435-4519	2				
16.	Seat	K4564-2319	1	49.	Steering Linkage	K4564-9419	1				
17.	Wheel	B7659-2459	4	50.	Rear Axle	H4435-4509	1				
18.	Roll Bar	K4564-2339	1	Parts Not Shown							
19.	Dashboard	K4564-9789	1	Parts Bag	3800-8161	1					
20.	Hood	K4564-9359	1	Hardware Bag	H4435-9059	1					
21.	Windshield	K4564-2619	1	*Instruction Manual							
*22.Steering Wheel (10/9/06 and after)											
23.	Brush Guard	K4564-2349	1	(10/9/06 and after)	K4564-0923	1					
24.	Back Pack	K4564-9389	1	Main Decal Sheet	K4564-0310	1					
25.	Steering Wheel Cap	K4435-2729	1	Small Decal Sheet	K4564-0320	1					
26.	Hood Latch	K4564-9559	2	Footswitch	00801-1566 1						
27.	Wheel Driver	74460-2249	2	*8 x 3/4 Screw	0912-8001	4					
28.	Wheel Cover	K4564-2469	4								
29.	Hubcap Center	K4564-2679	4								

Bold and Underlined parts are to be purchased and installed by Service Centers only. These items may not be sold directly to consumers by Service Centers or Fisher-Price.

***See Service Bulletin: # 179 Steering Column Changes**