

**Age Range:** 1 3  
**Weight Limit:** 40 lbs.  
**Surfaces:** Asphalt/Hard Surfaces  
**Speed:** 2.0 Forward  
**Colors:** Red Body/Orange Seat/Purple Wheels  
**Intro:** 2005  
**Suggested Retail:** 99.99

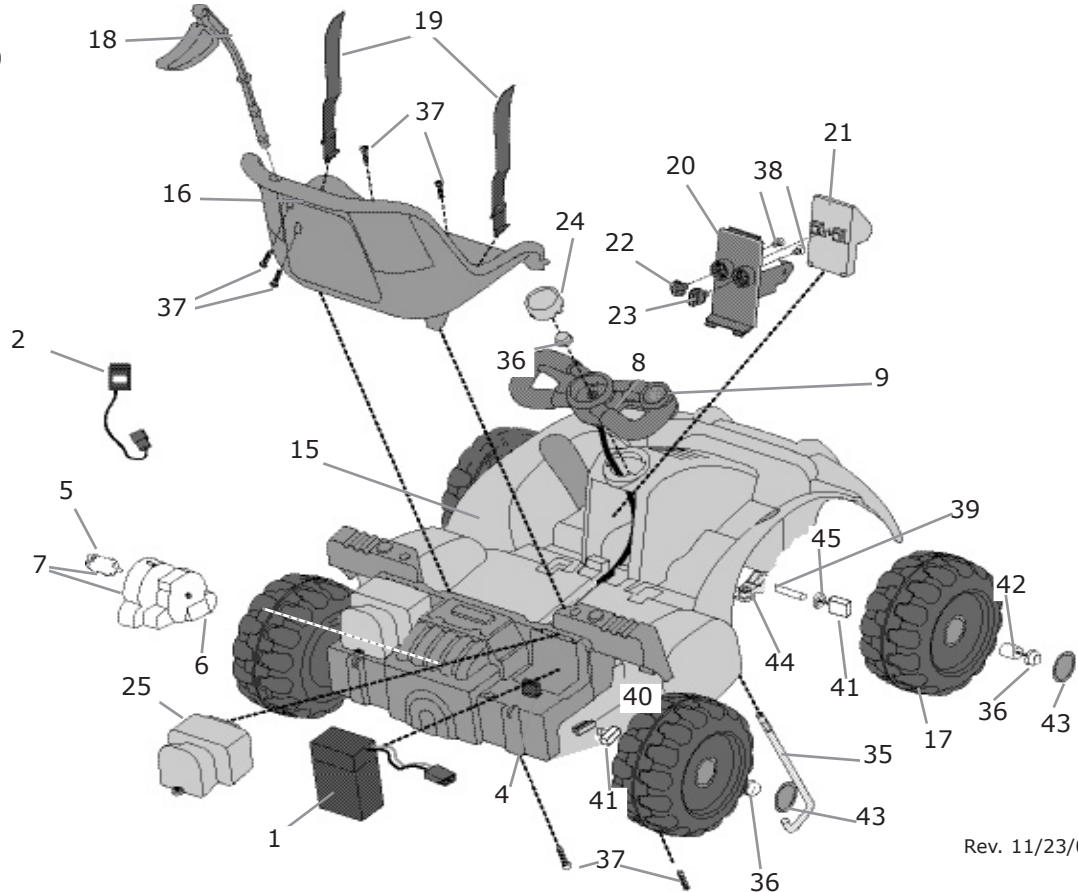


J4030

DORA

# Get Set Go! Kart Toddler Series

**Box Dimensions:**  
 11.375 x 24.375 x 31.750  
 18 lbs.  
**Warranty**  
 One Year Vehicle  
 6 Months Battery



Rev. 11/23/05

| Item No.                          | Description                            | Part No.          | Qty. Item | Part | No. Qty. | Description | No. |
|-----------------------------------|--|-------------------|-----------|------|----------|-------------|-----|
| <b>Working / Electrical Parts</b> |  |                   |           |      |          |             |     |
| 1.                                | 6V, 4 amp Battery                      | 00801-1230        | 1         |      |          |             |     |
| 2.                                | 6V, 4 amp Charger                      | 00801-0976        | 1         |      |          |             |     |
| 4.                                | <b>Motor Harness</b>                   | <b>76790-9699</b> | <b>1</b>  |      |          |             |     |
| 5.                                | <b>Motor Pinion</b>                    | <b>00968-3700</b> | <b>1</b>  |      |          |             |     |
| 6.                                | <b>Gearbox</b>                         | <b>00968-3800</b> | <b>1</b>  |      |          |             |     |
| 7.                                | <b>Motor Gearbox Assy</b>              | <b>00968-3900</b> | <b>1</b>  |      |          |             |     |
| 8.                                | Steer Wheel w/Harness                  | J4030-9209        | 1         |      |          |             |     |
| 9.                                | <b>Switch</b>                          | <b>00801-1222</b> | <b>1</b>  |      |          |             |     |
| <b>Hardware / Metal Parts</b>     |  |                   |           |      |          |             |     |
| 35.                               | Steering Column                        | 76790-4539        | 1         |      |          |             |     |
| 36.                               | .354 Cap Nut                           | 0801-0604         | 6         |      |          |             |     |
| 37.                               | 8 x 3/4 Screw                          | 0912-8001         | 6         |      |          |             |     |
| 38.                               | 6 x 3/8 Screw N/A (Order Hardware Bag) |                   | 2         |      |          |             |     |
| 39.                               | Front Axle                             | 76790-4519        | 2         |      |          |             |     |
| 40.                               | Bushing w/Out Ext, Rect                | 74504-2549        | 2         |      |          |             |     |
| 41.                               | Bushing w/Ext. Rect                    | 78560-2659        | 2         |      |          |             |     |
| 42.                               | Bushing Retainer Keeper                | J4030-2129        | 2         |      |          |             |     |
| 43.                               | Cover Retainer Keeper                  | J4030-2349        | 4         |      |          |             |     |
| 44.                               | Steering Linkage Assy.                 | 3800-7042         | 1         |      |          |             |     |
| 45.                               | 5/16 Washer                            | 0801-0253         | 2         |      |          |             |     |
| <b>Parts Not Shown</b>            |  |                   |           |      |          |             |     |
|                                   | Large Parts Bag                        | J4030-9259        | 1         |      |          |             |     |
|                                   | Hardware Bag                           | 3800-7830         | 1         |      |          |             |     |
|                                   | Owner's Manual                         | J4030-0920        | 1         |      |          |             |     |
|                                   | Decal Sheet                            | J4030-0320        | 1         |      |          |             |     |
|                                   | Rear Axle                              | 76790-4529        | 1         |      |          |             |     |
| <b>Plastic / Other Parts</b>      |  |                   |           |      |          |             |     |
| 15.                               | Veh Frame                              | N/A               | 1         |      |          |             |     |
| 16.                               | Seat                                   | J4030-2149        | 1         |      |          |             |     |
| 17.                               | Wheel                                  | 78780-2119        | 4         |      |          |             |     |
| 18.                               | Flag                                   | 78780-2269        | 1         |      |          |             |     |
| 19.                               | Seat Belt Set                          | 75547-5519        | 1         |      |          |             |     |
| 20.                               | Action Sounds Box Cover                | 78780-2239        | 1         |      |          |             |     |
| 21.                               | Action Sounds Box                      | G4815-9539        | 1         |      |          |             |     |
| 22.                               | Sound Knob                             | J4030-2259        | 1         |      |          |             |     |
| 23.                               | Key Knob                               | J4030-2249        | 1         |      |          |             |     |
| 24.                               | Steering Wheel Cap                     | J4030-2229        | 1         |      |          |             |     |
| 25.                               | Rear Bumper Cover                      | 76790-2139        | 2         |      |          |             |     |

N/A = Not Available

**Bold and Underlined parts are to be purchased and installed by Service Centers only. These items may not be sold directly to consumers by Service Centers or Fisher-Price.**