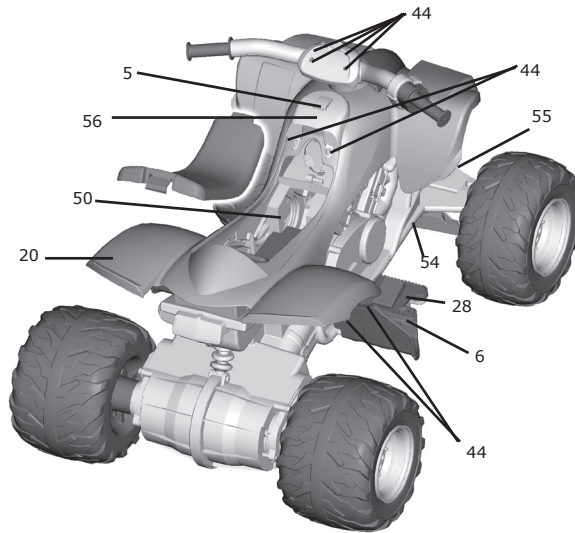


Age Range: 3 and up
 Weight Limit: 65 lbs.
 Surfaces: Hard and Grass
 Speed: 2.5 mph forward and reverse,
 5.0 mph forward
 Colors: Orange and Black
 Intro: 2005
 Suggested Retail: \$174.99
 Box Dimensions: 19.63 x 25.13 x 40.75; 55 lbs.
 Warranty: One Year Vehicle
 6 Months Battery



H9800 Kawasaki KFX Ninja Extreme

12 volt
Advanced Series



Rev. 04/24/07

Item No.	Description	Part No.	Qty.	Item No.	Description	Part No.	Qty.	Item No.	Description	Part No.	Qty.
----------	-------------	----------	------	----------	-------------	----------	------	----------	-------------	----------	------

Working / Electrical Parts

1.	12V Battery	00801-0638	1
2.	12V Charger w/Probe	00801-0972	1
3.	Motor Gearbox Assy	00968-29122	1
4.	Main Harness Assy	B9272-9799D1	1
5.	F/R Control Switch	00801-0885	1
6.	Footboard Assy.	3800-7470	1
7.	*Complete Handle Assy	B9272-97291	1
(when ordering this part, you will also need to order the left & right hand grip.)			

Plastic / Other Parts

20.	Body	N/A	1
21.	Seat	B9272-2159	1
22.	Handgrip (Right)	73600-2839	1
23.	Front Wheel	B9272-2339	2
24.	Rear Wheel	B9272-2269	2
25.	Wheel Driver	74460-2249	2
26.	Footrest (Left Side)	B9272-2229	1
28.	Lower Ftbd (Right Side)	B9272-22891	1
29.	Fairing	B9272-2359D	1
30.	Hubcap	B9272-2459	4

Hardware / Metal Parts

41.	7/16 Washer	N/A	3
42.	10 x 3/4 Screw	N/A	4
43.	8 Lock Nut	N/A	1
44.	8 x 3/4 Screw	N/A	45
45.	.437 Cap Nut	0801-0226	5
47.	.437 Bushing	73610-2689	4
49.	Left Handgrip	74290-2399	1
50.	Battery Retainer	B9272-2419	1
51.	Steering Column	B9272-4429	1
52.	Rear Axle	B9272-4509	1
53.	Front Axle	B9272-4519	2
54.	Crossbar	B9272-4649	1
55.	Steering Linkage Assy.	B9272-9149D1	1
(Includes Left/Right Plastic Rods)			
56.	Switch Plate	B9272-2759	1
57.	Foot Board Pin	B9272-4409	2
58.	Brushguard	3800-7252	1
60.	8-32 Screw (N/A)		1

Parts Not Shown

Parts Bag	3800-7841	1
Hardware Bag	B9272-9289	1
Owners Manual	H9800-0920	1
Ftswitch (Plung Type)	00801-0933	1
Decal Sheet	H9800-0310	1
Adhesive Clip	0801-0313	1
PC Board (Turbo)	74287-9729	1
Cap Nut Tool	78640-2629	1
Footpedal Pin	B9272-4259	1
Gearbox W/out Motor	00968-2802	2
Motor Pinion Assembly	00968-2702	2
10 Nylock Lock Nut (Turbo)	0801-0318	2
Metal Neck	73690-4289	1

N/A= Not available.

Bold and Underlined parts are to be purchased and installed by Service Centers only. These items may not be sold directly to consumers by Service Centers or Fisher-Price.