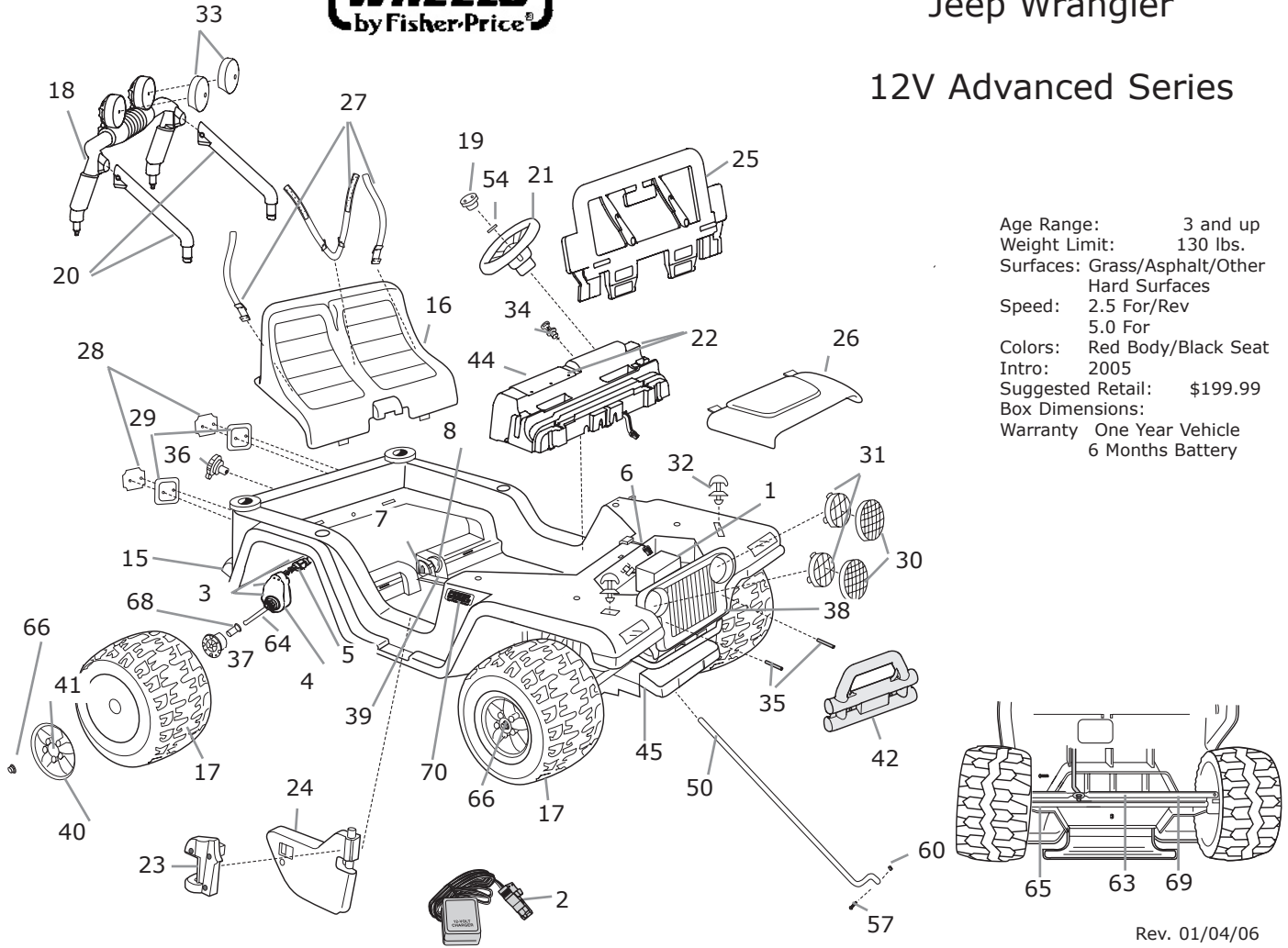




H4805 Jeep Wrangler

12V Advanced Series



Age Range: 3 and up
 Weight Limit: 130 lbs.
 Surfaces: Grass/Asphalt/Other Hard Surfaces
 Speed: 2.5 For/Rev
 5.0 For
 Colors: Red Body/Black Seat
 Intro: 2005
 Suggested Retail: \$199.99
 Box Dimensions:
 Warranty One Year Vehicle
 6 Months Battery

Rev. 01/04/06

Item No.	Description	Part No.	Qty.	No. Item	Description	No. Part	Qty.
Working / Electrical Parts							
1.	Single 12V Battery	00801-0638	1	32.	Hood Latch	B1501-9559	2
2.	Single 12V Charger	00801-0972	1	33.	Light Cover	C2390-2169	2
3.	Motor Grbx Assy.	00968-2912	2	34.	Key Assembly	74765-9369	1
4.	Gearbx W/out Mot	00968-2802	2	35.	Spacer	74460-2069	2
5.	Motor Pin Assy	00968-2702	2	36.	Gas Cap	75597-2089	1
6.	Main Harness Assy.	C2390-9799D	1	37.	Driver	74460-2249	2
7.	Shifter Harn Assy.	G3740-9100D	1	38.	Grill	75598-2849	1
8.	Shifter Assembly	74310-9239	1	39.	Channel Cover	B0155-2989	1
Plastic / Other Parts							
15.	Body	N/A	1	40.	Hubcap	B7659-2469	4
16.	Seat	H4803-2819	1	41.	Hubcap Cover	B7659-2679	4
17.	Wheel	B7659-2459	4	42.	Brushguard	H4803-2189	1
18.	Sport Bar	B7659-2219	1	44.	**Radio	H4803-9309	1
19.	Steering Wheel Cap	74550-2729	1	(Consumer Replaceable By Ordering Part 22 Dash w/ Radio)			
20.	Sport Bar Support	B7659-2379	2	45.	Front Module	C2390-2019	1
21.	Steering Wheel	74440-2379	1	Hardware / Metal Parts			
22.	Dash w/Radio	H4805-9259	1	50.	Steering Column	H4803-4409	1
23.	Door Hinge (Right)	H4805-2129	1	51.	10 x 1/2 Screw	N/A	8
24.	Door (Left/Right)	3800-7690	2	(Order Hardware Bag)			
25.	Windshield	B7659-2619	1	52.	8 x 1 Screw	N/A	7
26.	Hood	C2390-2119	1	(Order Hardware Bag)			
27.	Seat Belt Set	74440-5349	1	53.	10 x 1 Screw	N/A	11
28.	Taillight Lens Set	73233-2279	1	(Order Hardware Bag)			
29.	Taillight Housing Set	73233-2759	1	54.	5/32 x 1 1/2 Pin N/A	00801-1565	1
30.	Lens Guard	74526-2339	2	(Order Hardware Bag)			
31.	Headlight Lens	74440-2879	2	55.	8 x 4 Screw	N/A	2
N/A = Not Available				56.	8-32 x 1.625 Screw	N/A	2
				(Order Hardware Bag)			
				57.	8 x 5/8 Screw	N/A	1
				(Order Hardware Bag)			
				58.	8 Acorn Lock Nut	N/A	2
				(Order Hardware Bag)			
				60.	8 Lock Nut	N/A	1
				(Order Hardware Bag)			
				62.	3/8 Washer		1
				63.	Steering Linkage Assy.	B7659-9419D	1
				64.	Rear Axle	B7659-4529	1
				65.	Front Axle	B7659-4519	2
				66.	.437 Cap Nut	0801-0226	1
				68.	7/16 Round/Axle Bush	74550-2689	1
				69.	Cross Bar	75840-4409	1
				70.	PW Emblem	0801-1503	2
Parts Not Shown							
Large Parts Bag						H4805-9269	1
Hardware Bag						H4803-9299	1
Owner's Manual						H4807-0920	1
Decal Sheet						H4805-0320	1
Switch Control (Shifter-Rock)						00801-0923	1
Footswitch (Plunger Type)						00801-0933	1
Door Hinge (Left)						H4807-2139	1
Footboard Assembly						74020-9839D	1
Radio Bezel						H4803-2369	1
Battery Retainer						H3427-7809	1
10 x 3/4 Screw						N/A	4

Bold and Underlined parts are to be purchased and installed by Service Centers only. These items may not be sold directly to consumers by Service Centers or Fisher-Price. ** Service Centers: Please see Service Bulletin # 176 for replacement of FM Radio.