

Age Range: 1-3 Years
 Weight Limit: 40 lbs.
 Surfaces: Hard Surfaces & Grass
 Speed: 2 MPH Forward
 Colors: Blue Body/Yellow Seat/
 Black Wheels
 Intro: 2004
 Suggested Retail: \$99.99
 Box Dimensions:
 12.125 x 35.500 x 19.375
 24 lbs.
 Warranty



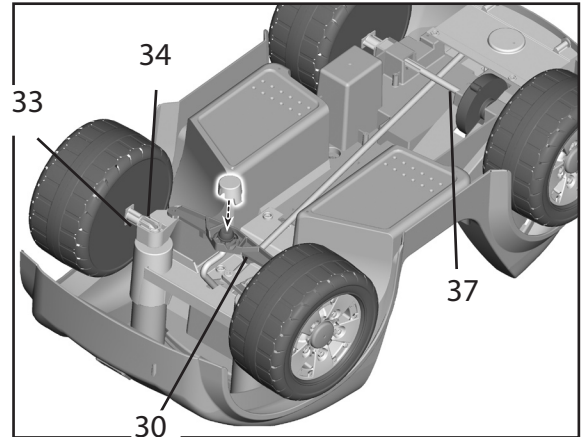
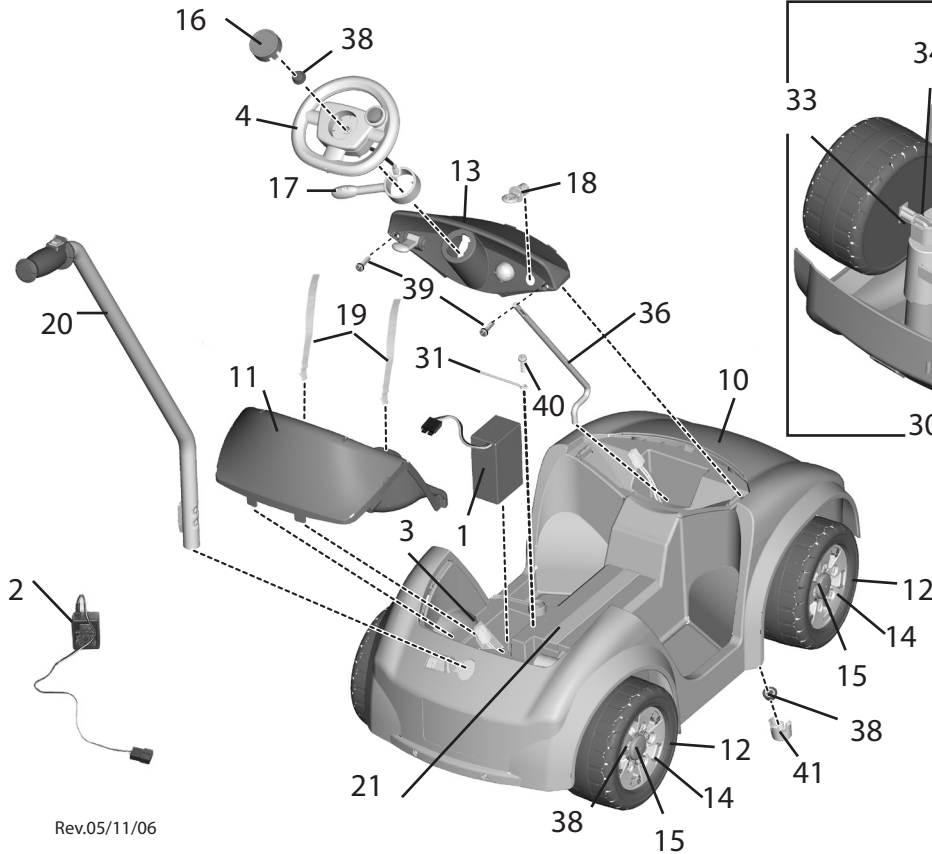
H4793 Little People Tot Rod

Toddler Series
TRU Exclusive

Mini 6 Volt

One Year Vehicle
6 Months Battery

Bottom View



Rev.05/11/06

Item No.	Description	Part No.	Qty.	Item No.	Description	Part No.	Qty.	Item No.	Description	Part No.	Qty.
----------	-------------	----------	------	----------	-------------	----------	------	----------	-------------	----------	------

Working / Electrical Parts

1	6V, 4 Amp Blue Battery	00801-1230	1
2	6V 4 Amp Charger	00801-0976	1
3	Main Harness Assembly	G2580-9799	1
4	Steering Wheel w/Switch Assy.	3800-7797	1

Plastic / Other Parts

10	Body	N/A	1
11	Seat	3800-7416	1
12	Wheel	G2580-2129	4
13	Dash w/Knob	3800-7650	1
14	Hubcap	G2580-2149	4
15	Hubcap Center	G2580-2159	4
16	Steering Wheel Cap	H4793-2259	1
17	Turn Signal	H4793-2429	1
18	Key	H4793-2459	1
19	Seat Belt Set	H4793-5509	1
20	Handle	H4793-9309	1
21	Channel Cover	H4793-2529	1

Hardware / Metal Parts

30	Steering Linkage	3800-7747	1
31	Battery Retainer	74230-4129	1
33	Wheel Bushing w/Extension.	76920-2659	4
34	Front Axle	77760-4519	2
36	Steering Column	G2580-4019	1
37	Rear Axle	G2580-4509	1
38	.354 Cap Nut	0801-0548	6
39	#8 x 3/4 Screw	00912-8001	2
40	#8 -18 x 7/8 Battery Clamp Screw	0801-0228	1
41	Steering Rod Cap	G2580-2559	1

Parts Not Shown

Large Parts Bag	3800-7796	1
Hardware Bag	3800-7564	1
Owners Manual	G2580-0920	1
Decal Sheet	H4793-0310	1
Motor Gearbox Assembly	00968-3900	1
Gearbox W/out Motor	00968-3800	1
Motor Pinion Assembly	00968-3700	1
Spring	78560-4549	1
Rectangular Bushing w/out Ext.	76920-2549	2

N/A = Not Available

Bold and Underlined parts are to be purchased and installed by Service Centers only. These items may not be sold directly to consumers by Service Centers or Fisher-Price.