

Age Range: 3 and up
 Weight Limit: 130 lbs.
 Surfaces: Grass/
 Asphalt/Hard Surfaces
 Speed: 2.5 For/Rev
 5.0 For
 Colors: Burgundy Body/
 Black Wheels
 Intro: 2005
 Suggested Retail: 288.88
 Box Dimensions:
 24.880 x 35.00 x 51.000
 96 lbs.
 Warranty One Year Vehicle
 6 Months Battery

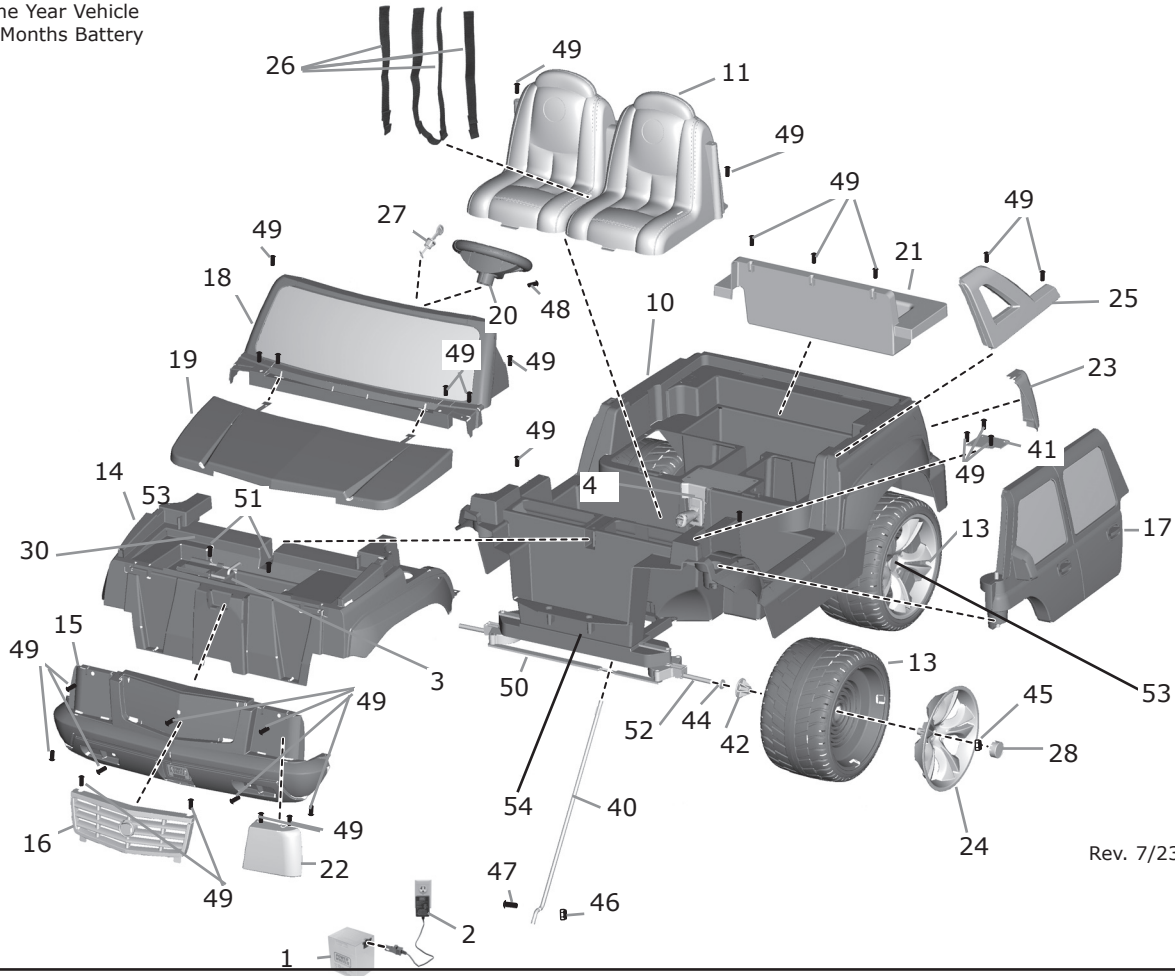


H0438

Cadillac Escalade

12V Advanced Series

Walmart Exclusive



Rev. 7/23/07

Item No.	Description	Part No.	Qty.	Item No.	Description	Part No.	Qty.	Item No.	Description	Part No.	Qty.
Working / Electrical Parts				28.	Hubcap	G3740-2429	4	54.	Front Module	H0438-2309	1
1.	12V Battery	00801-0638	1	30. **Radio	H0438-9329 1	(Radio Replaceable By Consumer By Ordering Part #18 Windshield/Dash/Radio)					
2.	12V Charger w/Probe	00801-0972	1	Hardware / Metal Parts							
3. Harness Assy	H0440-9799 1										
4.	Shifter Assembly	H0440-9159	1	40.	*Steering Column	H0440-4439	1	Parts Not Shown			
Plastic / Other Parts				41.	Door Plate	H0440-4459	2	Steering Wheel Cap	H0440-2559	1	
10.	Body	N/A	1	42.	Bushing	B9785-2229	2	Parts Bag	H0440-9269	1	
11.	Seat	H0440-2659	1	44.	7/16 Washer	0801-0196	2	Hardware Bag	H0440-9279	1	
13.	Left Wheel	G3740-2409	2	45.	3/8-16 Lock Nut	00905-0116	2	Owners Manual	H0438-0920	1	
14.	Front End w/clip	N/A	1	46.	8-32 Lock Nut N/A	00905-0117	1	Decal Sheet	H0438-0310	1	
15.	Bumper	H0438-9359	1	(Order Hardware Bag)				Switch Cont (Shift/Rock)	00801-09231		
16.	Grille	H0440-6379	1	47.	8-32 x 3/4 Screw N/A	00913-8001	1	Footswitch (Plunger)	00801-0933 1		
17.	Door (Left)	H0438-9729	1	(Order Hardware Bag)				Footboard Assy.	H0438-2399		
18.	Windshield/Dash/Radio	H0438-9639	1	48.	6 x 1 1/2 Screw N/A		1	Motor Assy	00968-2701 2		
19.	Hood	3800-7725	1	(Order Hardware Bag)				Gearbox	74310-9529 2		
20.	*Steering Wheel	H0440-9759	1	49.	8 x 3/4 Screw	0912-8001	36	Motorgearbox Assy	00968-2910 2		
21.	Truck Bed	H0438-2359	1	50.	Steering Linkage	H0440-9429	1	Door (Right)	H0438-9709	1	
22.	Headlights Bagged	3800-7897	1	51.	1/4 x 1 1/4 Screw (N/A)		2	Channel Cover	H0438-2259	1	
23.	Taillights Bagged	3800-7898	1	(Order Hardware Bag)				Battery Life Indicator	H0436-9059	1	
24.	Wheel Cover	G3740-6439	4	52.	Front Axle	H0440-4529	2	Right Wheel	G3740-2419	2	
25.	Wing (Left & Right)	3800-7594	1	53.	.437 Cap Nut	0801-0226	4	Rear Axle	H0440-4519	1	
26.	Seatbelt Set	74440-5349	1								
27.	Key Assembly	H0440-9049	1								
								Upper Crossbar	H0440-4409	1	
								Lower Crossbar	H0440-4419	1	
								Driver	74460-2249	2	
								Assembly Tool (Wrench)	00801-1567	1	
								High Speed Lock-Out Screw	0801-0198	1	
								Radio Battery Cover	H0438-9329	1	

Bold and Underlined parts are to be purchased and installed by Service Centers only. These items may not be sold directly to consumers by Service Centers or Fisher-Price. **Service Centers: Please see Service Bulletin #177 for FM Radio replacement instructions. *Please see Service Bulletin #181 titled "Assembly Change to Steering Column."