

Age Range: 3 and up
 Weight Limit: 130 lbs.
 Surfaces: Grass/Asphalt & Other
 Hard Surfaces
 Speed: 2.5 For/Rev
 5.0 Rev

Colors: Aqua Body/Purple
 Wheels and Seat

Intro: 2004

Suggested Retail: 248.88

Box Dimensions:

20.125 x 34.750 x 54.500

60 lbs

Warranty

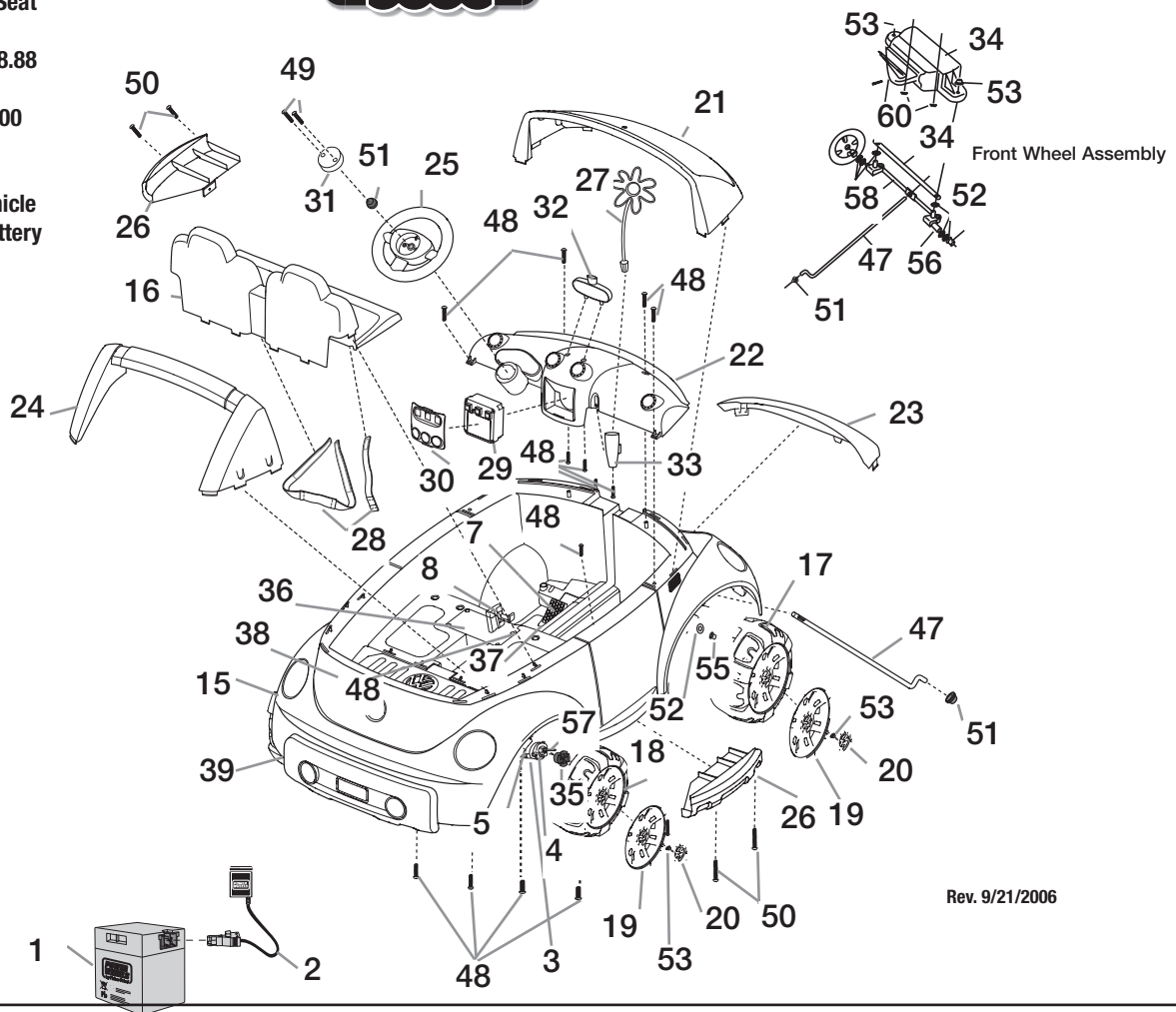
One Year Vehicle
 6 Months Battery



H0150

Barbie Volkswagen Dune New Beetle

12V Advanced Series



Rev. 9/21/2006

| Item No. | Description | Part No. | Qty. | Item No. | Description | Part No. | Qty. | Item No. | Description | Part No. | Qty. |
|-----------------------------------|-------------------------------|-------------|------|-------------------------------|---|------------|------|------------------------------|----------------------------|-------------|------|
| Working / Electrical Parts | | | | | | | | | | | |
| 1. | Single 12V Battery | 00801-0638 | 1 | 30. | Sound Box Cover | H0150-2269 | 1 | 56. | Front Axle | 75890-4509 | 2 |
| 2. | 12V Charger w/Probe | 00801-0972 | 1 | 31. | Steering Wheel Cap | 73517-2739 | 1 | 57. | Rear Axle | 75890-4519 | 1 |
| 3. | Motor Gearbox Assembly | 00968-2913 | 2 | 32. | Mirror | 3800-7454 | 1 | 58. | Steering Linkage Assembly | B3162-9419D | 1 |
| 4. | Gearbox W/out Motor | 00968-2809 | 2 | 33. | Vase | B3162-2619 | 1 | 60. | Front Module Machine Screw | N/A | 2 |
| 5. | Motor Pinion Assembly | 00968-2703 | 2 | 34. | Front Module w/Cross Bars (Includes Machine Screws & Nuts) | 3800-7451 | 1 | | | | |
| 7. | Footboard Assembly | H0150-9389 | 1 | 35. | Driver | 76960-2249 | 2 | | | | |
| 8. | Shifter Assembly | B3162-9339D | 1 | 36. | Shifter Cover | H0150-2239 | 1 | | | | |
| Plastic / Other Parts | | | | | | | | | | | |
| 15. | Body | N/A | 1 | 37. | Channel Cover | H0150-2279 | 1 | | | | |
| 16. | Seat | H0150-2309 | 1 | 38. | Trunk Cover | H0150-2359 | 1 | | | | |
| 17. | Front Wheel | H0150-2459 | 2 | 39. | Rear Bumper | H0150-2189 | 1 | | | | |
| 18. | Rear Wheel | H0150-2469 | 2 | Hardware / Metal Parts | | | | | | | |
| 19. | Hubcap | H0150-2579 | 4 | 47. | Steering Column | 75890-4239 | 1 | Parts Not Shown | | | |
| 20. | Center Hubcap | H0150-2589 | 4 | 48. | # 8 x 3/4" Screw | 0912-8001 | 14 | Large Parts Bag | H0150-9259 | 1 | |
| 21. | Windshield | H0150-9409 | 1 | 49. | # 6 X 1" Screw N/A (Order Hardware Bag) | 00801-1260 | 2 | Hardware Bag | B3162-9289 | 1 | |
| 22. | Dash | H0150-2129 | 1 | 50. | # 8 x 1 3/4" Screw N/A (Order Hardware Bag) | 0405-0273 | 4 | Owner's Manual | H0150-0920 | 1 | |
| 23. | Hood | 3800-7450 | 1 | 51. | .354 Cap Nut | 0801-0604 | 2 | Main Decal Sheet | H0150-0300 | 1 | |
| 24. | Roll Bar | H0150-2289 | 1 | 52. | 7/16" Washer | 0801-0196 | 4 | Prismatic Decal Sheet | H0150-0310 | 1 | |
| 25. | Steering Wheel | H0150-9719 | 1 | 53. | .437 Cap Nut | 0801-0226 | 4 | Switch Control (Rocker Type) | 00801-0923 | 2 | |
| 26. | Running Boards (Left & Right) | H0150-9169 | 1 | 55. | 7/16 Round Bushing | 74550-2689 | 2 | Footswitch (Plunger Type) | 00801-0933 | 1 | |
| 27. | Flower | B3162-2609 | 1 | | | | | Battery Retainer Assembly | 74020-9819 | 1 | |
| 28. | Seat Belt Set | H0150-5339 | 1 | | | | | Windshield Retainer | H0150-2429 | 1 | |
| 29. | Sound Box | B3162-9559 | 1 | | | | | Main Harness Assembly | B3162-9799 | 1 | |
| | | | | | | | | Front Bumper | H0150-2179 | 1 | |

N/A = Not Available

Bold and Underlined parts are to be purchased and installed by Service Centers only. These items may not be sold directly to consumers by Service Centers or Fisher-Price.