

Age Range: 3 and up  
 Weight Limit: 130 lbs.  
 Surfaces: Grass/Asphalt & Other  
 Hard Surfaces  
 Speed: 2.5 For/Rev  
 5.0 For  
 Colors: Red Body/Gray  
 Seat/Black Wheels  
 Intro: 2004  
 Suggested Retail: \$299.99  
 Box Dimensions:  
 22 x 34 x 59.750  
 58 lbs.  
 Warranty  
 One Year Vehicle  
 6 Months Battery

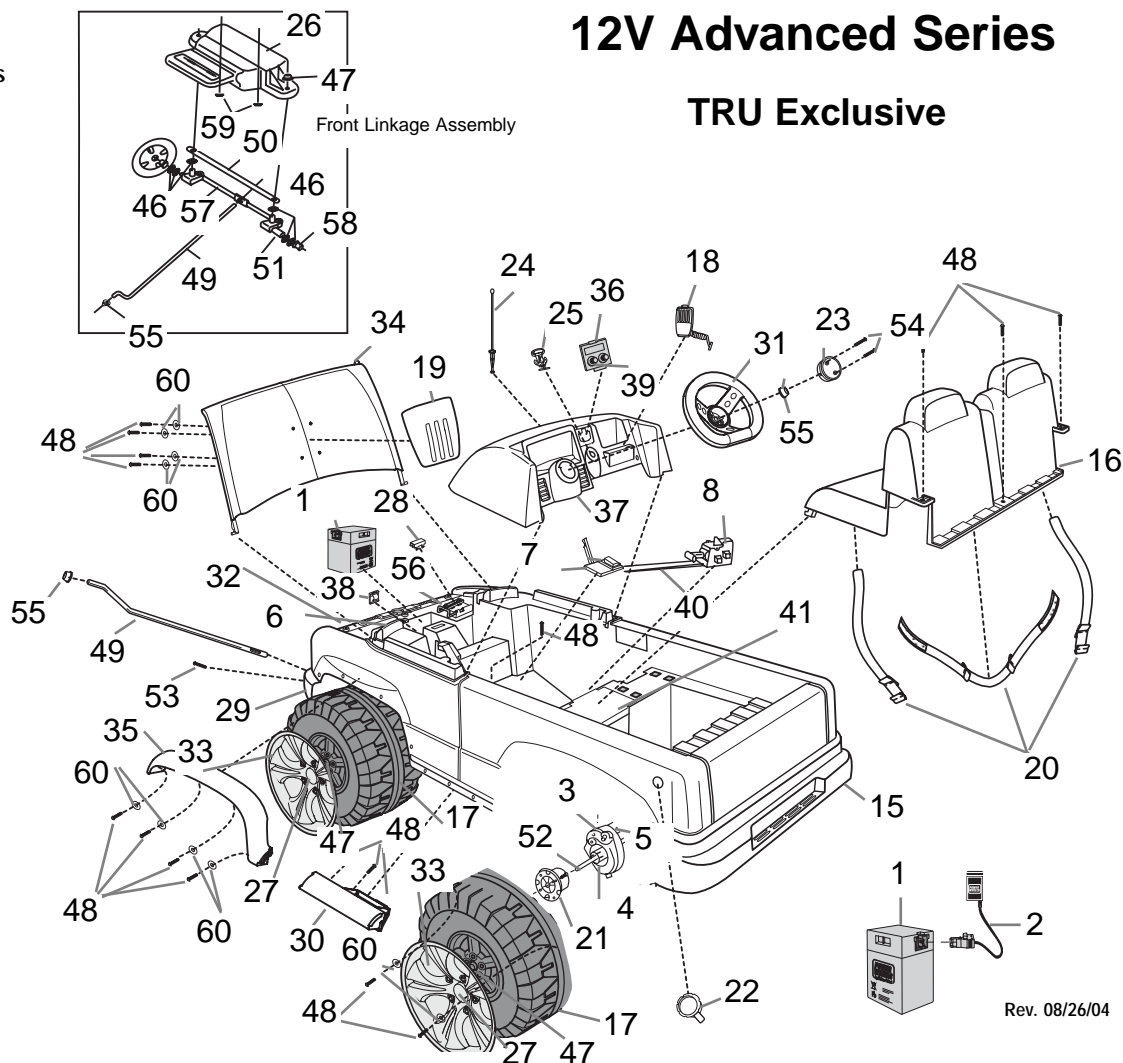


# H0128

## City Slammin' Silverado

### 12V Advanced Series

TRU Exclusive



Rev. 08/26/04

Item No.	Description	Part No.	Qty.	Item No.	Description	Part No.	Qty.	Item No.	Description	Part No.	Qty.
<b>Working / Electrical Parts</b>											
1.	12V Battery	00801-0638	1	29.	Front Bumper	H0128-2679	1	54.	# 8- 18 X 1" Screw N/A (Order Hardware Bag)	00801-1259	2
2.	12V Probe Charger	00801-0972	1	30.	Center Fender Flare	H0128-2769	2	55.	.354 Cap Nut	0801-0604	2
<b>3.</b>	<b>Motor Gearbox Assembly</b>	<b>00968-2910</b>	<b>2</b>	31.	Steering Wheel	G3740-2779	1	56.	Battery Retainer	74020-9819	1
<b>4.</b>	<b>Gearbox W/out Motor</b>	<b>74310-9529</b>	<b>2</b>	32.	Metal Grill	G3740-6139	1	57.	Steering Linkage Assembly	B1476-9419D	1
<b>5.</b>	<b>Motor Pinion Assembly</b>	<b>00968-2701</b>	<b>2</b>	33.	Wheel Cover (Metal)	G3740-6439	4	58.	Bushing .437	B9785-2229	2
<b>6.</b>	<b>Main Harness Assembly</b>	<b>74310-9799</b>	<b>1</b>	34.	Hood	H0128-9619	1	59.	Front Module Screws N/A (Order Hardware Bag)	0801-0958	16
7.	Footboard Assembly	H0128-9089D	1	35.	Front Fender Flare (Left and Right Bagged)	H0128-9739D	1				
8.	Shifter Assembly	74310-2439D	1	36.	Knob Plate	3800-7529D	1	<b>Parts Not Shown</b>			
				37.	Cab w/Microphone	H0128-9010D	1	Large Parts Bag	3800-7591	1	
				38.	Wire Clip (Adhesive)	0801-0313	1	Hardware Bag	G3740-9279	1	
				39.	Dash Knob	74765-2719	2	Owner's Manual	G3740-0920	1	
				40.	Channel Cover	H0128-2379	1	Decal Sheet	H0128-0350	1	
				41.	Shifter Cover	H0128-2339	1	Decal Sheet-Windshield	H0128-0320	1	
								<b>Footswitch (Plunger Type)</b>	<b>00801-0933</b>	<b>1</b>	
<b>Plastic / Other Parts</b>											
15.	Body	N/A	1	<b>Hardware / Metal Parts</b>							
16.	Seat	G3740-2209	1	46.	7/16" Washer	0801-0196	4	Right Wheel	G3740-2419	2	
17.	Left Wheel	G3740-2409	2	47.	.437 Cap Nut	0801-0226	6	Right Rear Flare	H0128-2749	1	
18.	Microphone w/Cord	75597-9489	1	48.	# 8 x 3/4" Screw	0912-8001	28	Left Rear Flare	H0128-2759	1	
19.	Metal Hood Scoop	3800-7473	1	49.	Steering Column	74310-4239	1				
20.	Seatbelt Set	74460-5339	1	50.	Cross Bar	75840-4409	1				
21.	Wheel Driver	74460-2249	2	51.	Front Axle	G3740-4509	2				
22.	Gas Cap	75597-2089	1	52.	Rear Axle	G3740-4519	1				
23.	Steering Wheel Button NLA	75597-2749	1	53.	# 8-18 X 1 3/4" Screw N/A (Order Hardware Bag)	0912-8007	2				
24.	Antenna	B1476-2149	1								
25.	Key Housing Assembly	78490-9369	1								
26.	Front Module	H0128-2019	1								
27.	Hubcap	G3740-2429	4								
28.	Battery Clamp Cap	H0128-2519	1								

N/A = Not Available

**Bold and Underlined parts are to be purchased and installed by Service Centers only. These items may not be sold directly to consumers by Service Centers or Fisher-Price.**