

Age Range: 1-3 Years
 Weight Limit: 40 lbs.
 Surfaces: Hard Surfaces & Grass
 Speed: 2 MPH Forward
 Colors: Red Body/
 Blue Seat/Black Wheels
 Intro: 2004
 Suggested Retail: \$99.99
 Box Dimensions:
 12.125 x 35.500 x 19.375
 24 lbs.
 Warranty



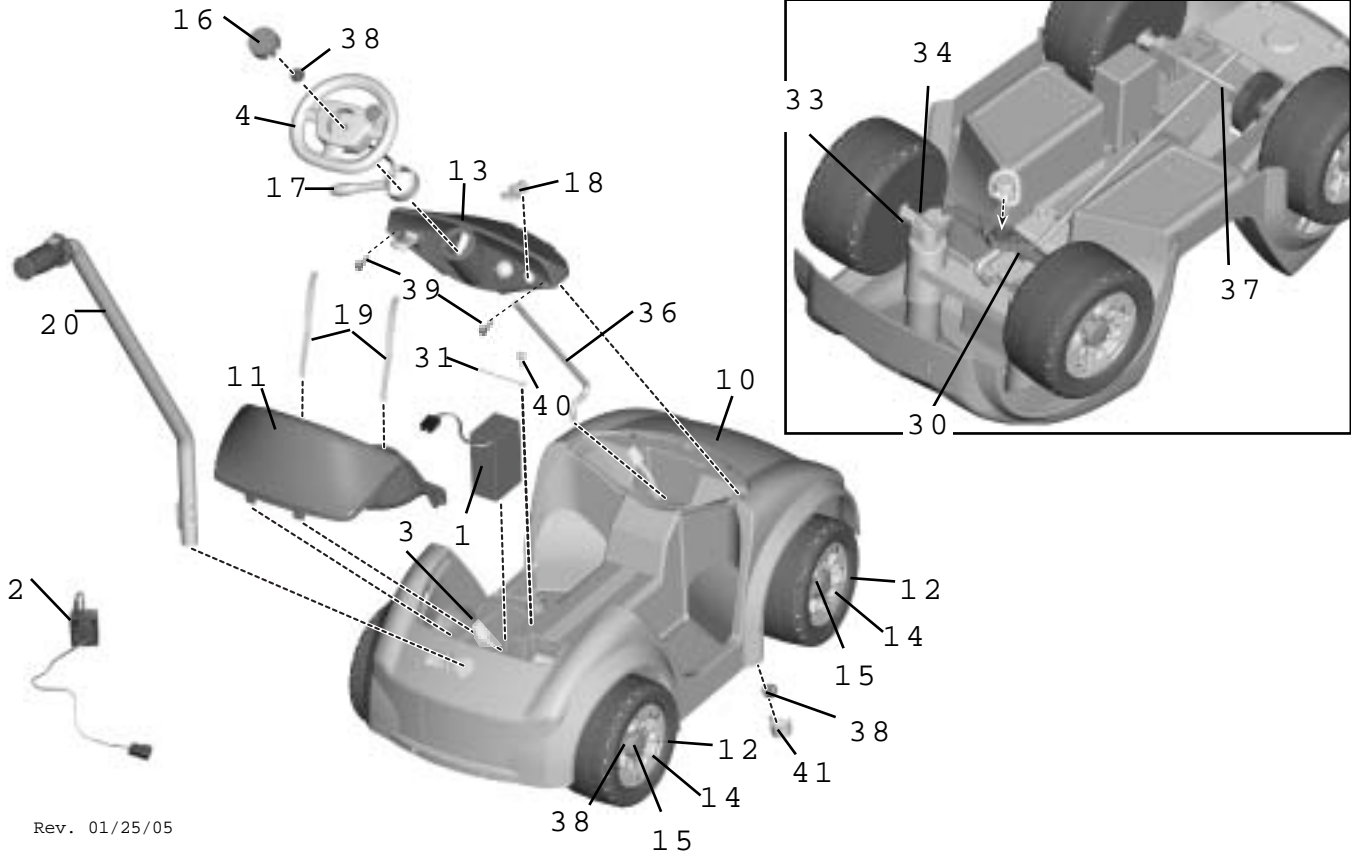
G2580 Little People Tot Rod

Toddler Series

Mini 6 Volt

One Year Vehicle
 6 Months Battery

Bottom View



Rev. 01/25/05

Item No.	Description	Part No.	Qty.	Item Part	No. Description Qty.	No.
Working / Electrical Parts				Parts Not Shown		
1	6V, 4 Amp Blue Battery	00801-1230	1		Large Parts Bag	3800-7744 1
2	6V 4 Amp Charger	00801-0976	1		Hardware Bag	3800-7564 1
3	<u>Main Harness Assembly</u>	<u>G2580-9799</u>	1		Owner's Manual	G2580-0920 1
4	Steering Wheel w/Switch Assy.	3800-7743	1		Decal Sheet	G2580-0310 1
Plastic / Other Parts				Hardware / Metal Parts		
10	Body	N/A	1	30	Steering Linkage	3800-7747 1
11	Seat	3800-7416	1	31	Battery Retainer	74230-4129 1
12	Wheel	G2580-2129	4	33.	Wheel Bushing w/Extension.	76920-2659 4
13	Dash w/Knob	3800-7746	1	34	Front Axle	77760-4519 2
14	Hubcap	G2580-2149	4	36	Steering Column	G2580-4019 1
15	Hubcap Center	G2580-2159	4	37	Rear Axle	G2580-4509 1
16	Steering Wheel Cap	G2580-2259	1	38	.354 Cap Nut	0801-0548 6
17	Turn Signal	G2580-2429	1	39	#8 x 3/4 Screw	00912-8001 2
18	Key	G2580-2459	1	40	#8 -18 x 7/8 Battery Clamp Screw	0801-0228 1
19	Seat Belt Set	G2580-5509	1	41.	Steering Rod Cap	G2580-2559 1
20	Handle	G2580-9309	1			

N/A = Not Available

Bold and Underlined parts are to be purchased and installed by Service Centers only. These items may not be sold directly to consumers by Service Centers or Fisher-Price.