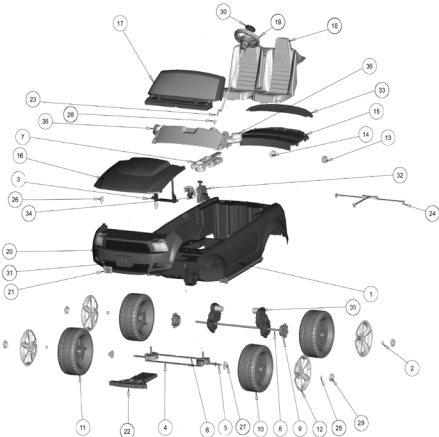


CLK46

**Disney Frozen Ford Mustang
Power Wheels Advanced**

Age Range:	3 and up
Weight Limit:	130 Lbs.
Surfaces:	Hard and Grass Surfaces
Speed:	2.5 & 5 MPH Forward 2.5 MPH Reverse
Colors:	Light Blue Body/Black Wheels
Intro:	2014

Suggested Retail:	\$322.62
Box Dimensions:	30.875"x18.375"x51.75"
Warranty:	One Year Vehicle Six Months Battery



Item	Part #	Description	QTY	Item	Part #	Description	QTY
1	N/A	Body		26	00801-1565	5/32" x 1 1/2" Pin	1
2	00801-1939	Cap Nut .437 - Black	4	27	B9785-2229	.437 Bushing	2
3	3800-7809	Battery Retainer	1	28	00801-1620	Steering Column Cap (Fastener .354) Blk.	1
4	J4390-4009	Crossbar for Mustang	1	29	P5920-2329	Hubcap Center for Mustang	4
5	J4390-4509	Front Axle for Mustang	2	30	CLK46-2789	Steering Wheel Cap for Mustang	1
6	J4390-9159	Steering Linkage for Mustang	1	31	P5920-9899	Grille w/Mustang Emblem	1
7	Y8812-2469	Center Console for Mustang	1	32	J4390-9209	Shifter for Mustang	1
8	J4390-4519	Rear Axle for Mustang	1	33	CLK46-2389	Rear Spoiler for Mustang	1
9	J4390-2269	Wheel Driver for Mustang	2	34	CLK46-9309	Footboard Assembly for Mustang	1
10	J4390-2279	Left Wheel for Mustang - black	2	<u>35</u>	<u>00968-2939</u>	<u># 7R Motor Gearbox Assembly</u>	<u>2</u>
11	J4390-2289	Right Wheel for Mustang - black	2	36	3900-3035	Mirror Bag (left & right)	1
12	P5920-6319	Wheel Cover for Mustang (chrome)	4				
13	J4390-2909	Left Exhaust for Mustang	1			Parts Not Shown	
14	J4390-2479	Right Exhaust for Mustang	1			Description	QTY
15	CLK46-9419	Rear Deck for Mustang	1		Part #	<u>Switch Control - (shifter/rocker type)</u>	<u>1</u>
16	CLK46-9459	Hood for Mustang	1	<u>00801-1775</u>	<u>Fontswitch - (plunger type)</u>	<u>1</u>	
17	CLK46-9709	Windshield/Dash/Soundbox	1	<u>00801-2039</u>	<u># 7R Motor Pinion</u>	<u>2</u>	
18	CLK46-9759	Seat for Mustang	1	<u>00968-2717</u>	<u># 7 Gearbox (19 tooth) Black</u>	<u>2</u>	
19	CLK46-9769	Steering Wheel for Mustang	1	<u>00968-2802</u>	<u>Wiring Harness for Mustang</u>	<u>1</u>	
20	CLK46-9809	Bumper w/Emblem and Lights	1	<u>P5920-9799</u>	Hardware Bag for Barbie Mustang	1	
21	00801-1518	Large Power Wheel Emblem	1	CLK46-9249	Parts Bag for Mustang	1	
22	CLK46-2829	Front Bumper Support for Mustang	1	CLK46-0310	Label Sheet for Mustang	1	
23	J4390-4409	Steering Column for Mustang	1	CLK46-0720	Manual for Mustang	1	
24	00801-2084	Seatbelt (black)	1	00801-1869	12 Volt Battery	1	
25	00905-0116	3/8" - 16 Lock Nut	2	00801-1778	12 Volt Charger w/Probe	1	
				J4390-2649	Motor for Mustang	1	

Bold and underlined parts are to be purchased and installed by Service Centers only. These items may not be sold directly to consumers by Service Centers or Fisher-Price.

Price