

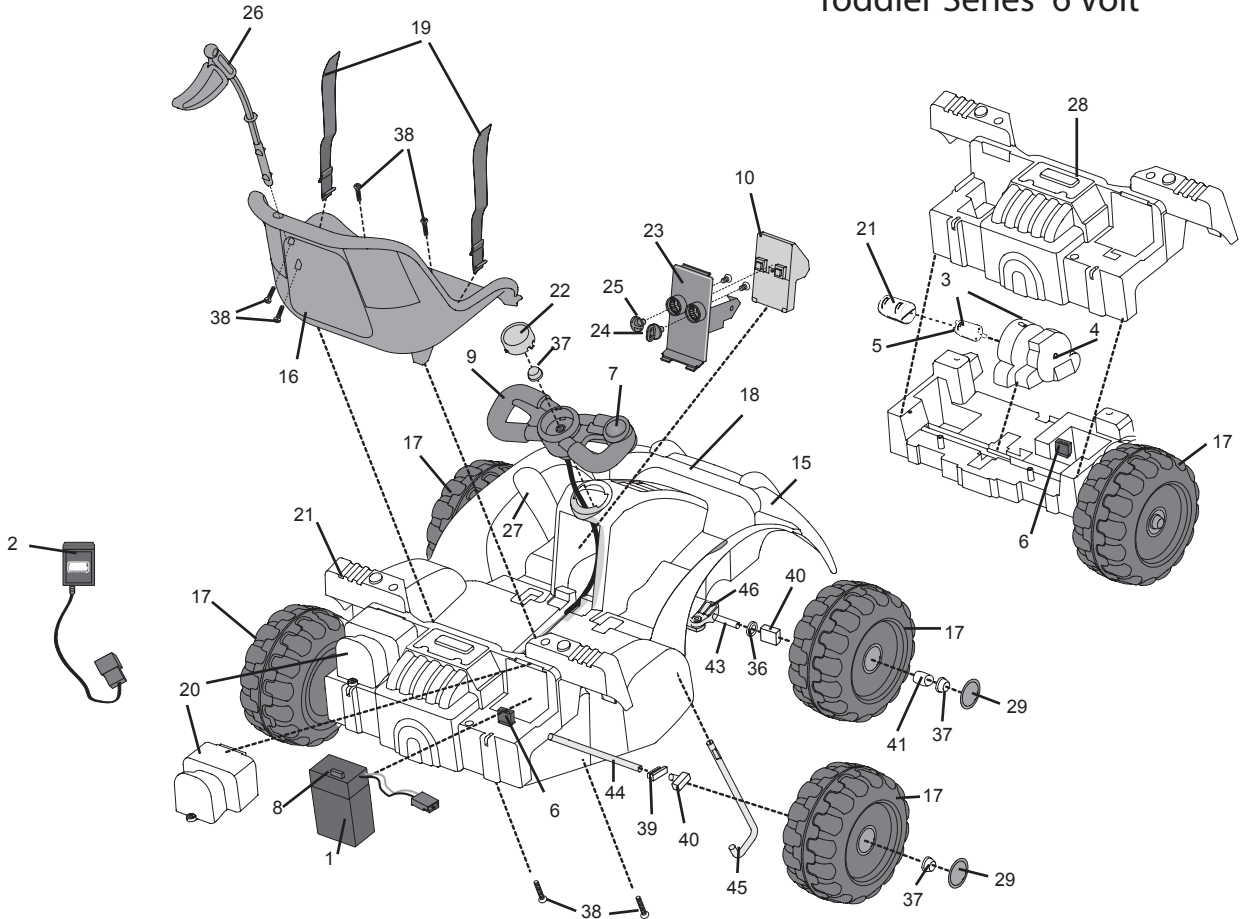
Age Range: 1 to 3 years  
 Weight Limit: 40 Lbs  
 Surfaces: Hard/Grass  
 Speed: 2 mph forward  
 Colors: Blue and Red  
 Intro: 2002  
 Suggested Retail: \$99.99  
 Box Dimensions: 11.37 x 24.37 x 30.75  
 Warranty



# B0263-9993 Get Set Go! Kart TRU

Toddler Series 6 Volt

One Year Vehicle  
 6 Months Battery



Item No.	Description	Part No.	Qty.	Item No.	Description	Part No.	Qty.	Item No.	Description	Part No.	Qty.
<b>Working / Electrical Parts</b>				28	V-Lever	78560-2419	1	<b>Parts Not Shown</b>			
1	Battery	0801-0336	1	29	Wheel Cover	B0263-2349	4	<b>Parts Bag</b>			
2	Charger	00801-0976	1	<b>Hardware / Metal Parts</b>				<b>Hardware Parts Bag</b>			
<b>3</b>	<b>Motor Gearbox Assembly</b>	<b>00968-3900</b>	<b>1</b>	36	Washer 5/16	0801-0253	2	<b>Owners Manual</b>			
<b>4</b>	<b>Gearbox W/out Motor</b>	<b>00968-3800</b>	<b>1</b>	37	.354 White Palnut	0801-0548	6	<b>Main Decal Sheet</b>			
<b>5</b>	<b>Motor Pinion Assembly</b>	<b>00968-3700</b>	<b>1</b>	38	8 x 3/4 screw	0912-8001	6	<b>Small Decal Sheet</b>			
<b>6</b>	<b>Motor Harness</b>	<b>76790-9699</b>	<b>1</b>	39	Rectangular Bushing w/o ext	74504-25494	1	<b>6 x 3/8 screw</b>			
<b>7</b>	<b>Switch</b>	<b>00801-1222</b>	<b>1</b>	40	Rectangular Bushing w ext	78560-2659	2	0801-0202 2			
8	Fuse	0801-0151	1	41	Bushing Retainer Keeper	78780-2129	4				
9	Steering Wheel W/Harness	B0263-9199	1	43	Front Axle	76790-4519	2				
10	Sound Box	76790-9539	1	44	Rear Axle	76790-4529	1				
<b>Plastic / Other Parts</b>				45	Steering Column	76790-4539	1				
15	Body N/A	3800-6892	1	46	Steering Linkage Assm.	3800-7042	1				
16	Seat Labled	3800-7041	1								
17	Wheel	76790-2119	4								
18	PW Emblem	74460-9069	1								
19	Seat Belt Set	75547-5519	1								
20	Rear Bumper Cover	76790-2139	2								
21	Motor Cover	76790-2159	1								
22	Steering Wheel Cap	B0263-2229	1								
23	Sound Box Cover	B0263-2239	1								
24	Key Knob	B0263-2249	1								
25	Sound Knob	B0263-2259	1								
26	Flag	B0263-2269	1								
27	Chassis Cap	B0263-2359	2								

Rev. 11/23/05

N/A = Not Available

**Bold and Underlined parts are to be purchased and installed by Service Centers only. These items may not be sold directly to consumers by Service Centers or Fisher-Price.**