

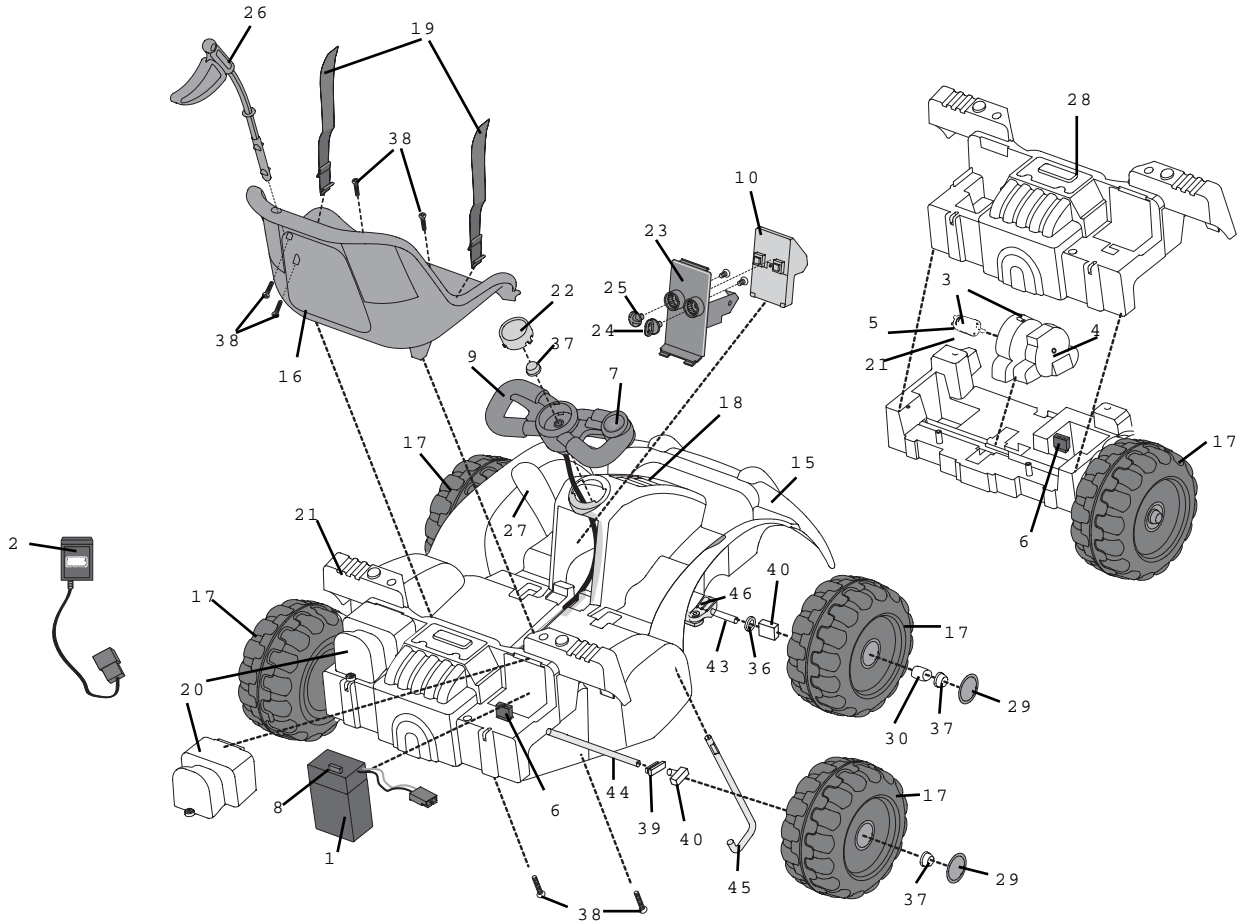
Age Range: 1 to 3 years
 Weight Limit: 40 Lbs
 Surfaces: Hard/Grass
 Speed: 2 mph forward
 Colors: Green and Purple
 Intro: 2002
 Suggested Retail: \$99.99
 Box Dimensions: 11.37 x 24.37 x 30.75
 Warranty



78780-9993 Get Set Go! Kart

Toddler Series 6 Volt

One Year Vehicle



Item No.	Description	Part No.	Qty. Item	Part	No. Qty.	Description	No.				
Working / Electrical Parts			28	V-Lever	78560-2419	1	Parts Not Shown				
1	Battery-4 amp	0801-0336	1	29	Wheel Cover	78780-2349	4				
2	Charger-4 amp	00801-0976	1	30	Bushing Retainer Keeper	78780-2129	2				
3	Motor Gearbox Assembly	00968-3900	1	Hardware / Metal Parts							
4	Gearbox W/out Motor	00968-3800	1	35	8 x 1/2 screw	0801-0202	2				
5	Motor Pinion Assembly	00968-3700	1	36	Washer 5/16	0801-0253	2				
6	Main Harness Assembly	76790-9699	1	37	.354 White Nut	0801-0548	1				
7	Switch	00801-1222	1	38	8 x 3/4 screw	0912-8001	6				
8	Fuse	0801-0151	1	39	Rectrangular Bush w/o ext	74504-2549	4				
9	Steering Wheel W/Harness	78780-9209	1	40	Rectrangular Bushing w ext	78560-2659	2				
10	Sound Box	76790-9539	1	43	Front Axle	76790-4519	2				
Plastic / Other Parts			15	Body	N/A	1	44	Rear Axle	76790-4529	1	
15	Body	N/A	1	45	Steering Column	76790-4539	1	46	Steering Linkage Assm.	3800-7042	1
16	Seat Labled	78780-6149	1	Parts Not Shown							
17	Wheel	78780-2119	4	Parts Bag				78780-9249	1		
18	PW Emblem	74460-9069	1	Hardware Parts Bag				76790-9269	1		
19	Seat Belt Set	78780-5519	1	Owners Manual				76790-0920	1		
20	Rear Bumper Cover	76790-2139	2	Main Decal Sheet				78780-0310	1		
21	Motor Cover	76790-2159	1	Small Decal Sheet				78780-0320	1		
22	Steering Wheel Cap	78780-2229	1								
23	Sound Box Cover	78780-2239	1								
24	Key Knob	78780-2249	1								
25	Sound Knob	78780-2259	1								
26	Flag	78780-2269	1								
27	Chassis Cap	78780-2359	2								

Rev. 06/15/05

N/A = Not Available

Bold and Underlined parts are to be purchased and installed by Service Centers only. These items may not be sold directly to consumers by Service Centers or Fisher-Price.