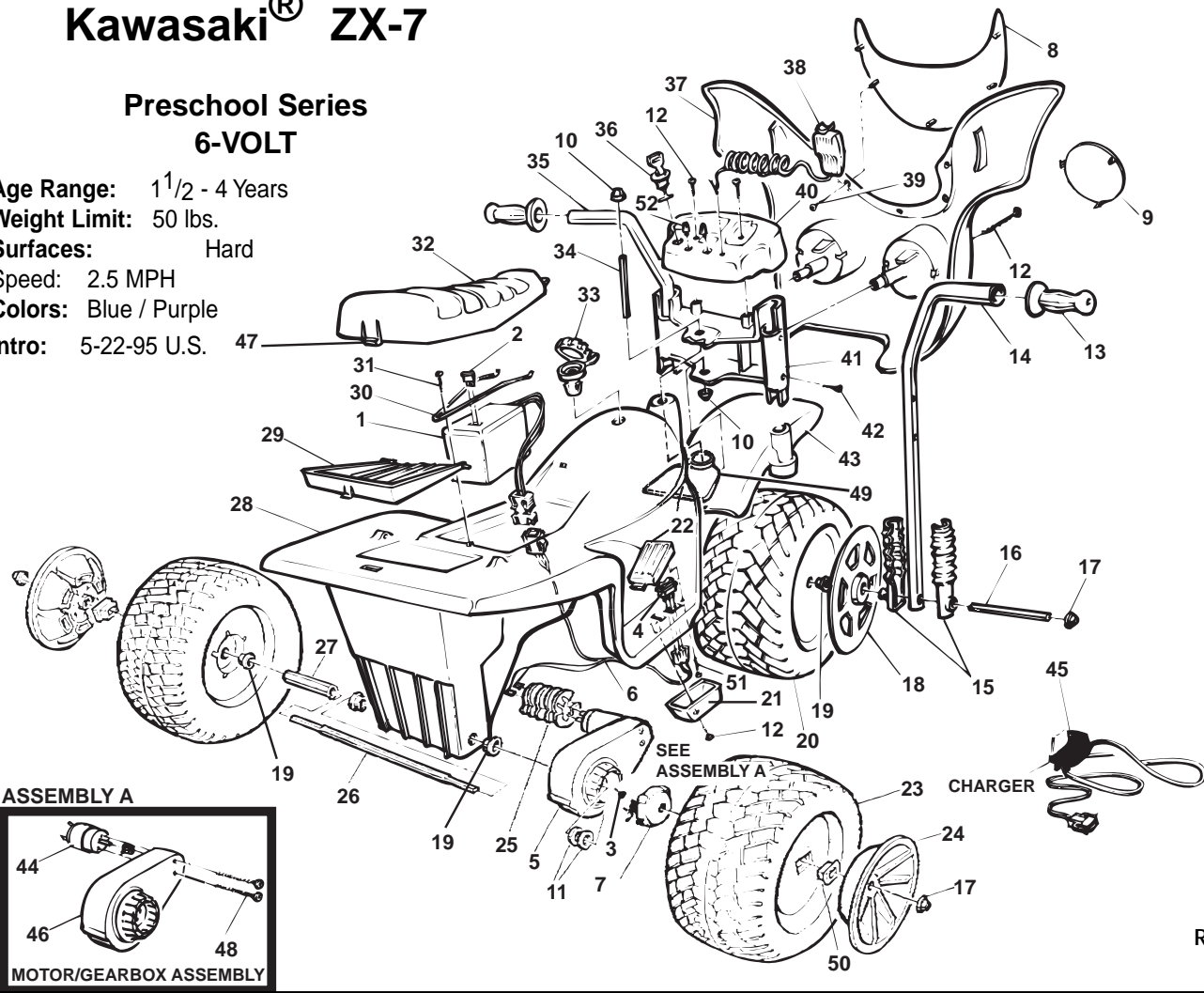


78541-9563 Europe  
78543-9563 Canada / Mexico  
78544-9563 Australia

# Kawasaki® ZX-7

## Preschool Series 6-VOLT

Age Range: 1½ - 4 Years  
Weight Limit: 50 lbs.  
Surfaces: Hard  
Speed: 2.5 MPH  
Colors: Blue / Purple  
Intro: 5-22-95 U.S.



Rev. 08/12/03

Item No.	Description	Part No.	Qty.	Item No.	Description	Part No.	Qty.	Item No.	Description	Part No.	Qty.
1	Battery	00801-1234	1	23	Rear Wheel N/A	74510-2469	2	47	Lock Fastener	78570-2439	1
2	25 amp Fuse	0801-0151	1	24	Rear Hubcap N/A	78542-2589	2	<b>48</b>	<b>Motor Bolt N/A</b>	<b>0801-0198</b>	<b>2</b>
3	Wheel Driver Screw	0801-0255	1	25	Motor Cover	74750-2359	1	49	Flex Plate N/A	74510-2159	1
<b>4</b>	<b>Foot Switch before 5-30-97) *75527-2709 1</b>			26	Rear Axle	74510-4549	1	50	Rectangular Wheel Bushing	77410-2679	2
	<b>(on or after 5-30-97) *0801-0538 1</b>			27	Axle Spacer Tube N/A	74510-4449	1	51	1" Screw N/A	0801-0273	1
5	Motor/Gearbox Assembly	74780-9509	1	28	Body N/A	78410-2109	1	52	Radio Knobs	74510-2149	2
<b>6</b>	<b>Wiring Harness N/A</b>	<b>77410-9799</b>	<b>1</b>	29	Trunk Lid N/A	78410-2329	1	53	6 Volt Charger - Europe N/A	0801-0241	1
7	Driver N/A	77410-2239	1	30	Battery Retainer	74510-4439	1		6 Volt Charger - Cana / Mex	00801-0975	1
8	Windshield N/A	74510-2179	1	31	7/8" Screw	0801-0228	1		6 Volt Charger - Australia	0801-0238	1
9	Lens Cover Set	74510-915A	1	32	Seat N/A	78410-2309	1	<b>PARTS NOT SHOWN</b>			
10	.354 Retainer w/Body	0801-0604	2	33	Gas Cap N/A	74780-2049	1	#6 - 20 x 1" Screw for			
11	7/16" Washer	0801-0196	2	34	Pivot Pin N/A	74510-4429	1	Swivel Bracket	0801-0254	1	
12	11/2" Screw	0801-0308	5	35	Left Handlebar N/A	74510-4239	1	1 1/4 Screw for Flex Plat N/A	0801-0216	2	
13	Handgrip	73560-2129	2	36	Key Housing N/A	74550-2439	1	Handlebar Plugs N/A	74510-2169	2	
14	Right Handlebar	74510-421A	1	37	Fairing N/A	78410-2729	1	Large Parts Bag N/A	78549-9249	1	
15	Shock Set N/A	78542-2089	1	38	Microphone	74550-9479	1	Small Parts Bag N/A	78410-9259	1	
16	Front Axle	74510-4519	1	39	3/8" Screw N/A	0801-0219	2	Literature Bag N/A	78549-0300	1	
17	.437 Retainer w/Body	0801-0226	4	40	Dash N/A	78542-2699	1	Adhesive Harness Clip	0801-0313	1	
18	Front Hubcap	78542-2579	2	41	Swivel Bracket N/A	74510-2129	1	Main Decal Sheet N/A	78410-0330	1	
19	Wheel Spacer N/A	74550-2689	5	42	3/4" Screw	0801-0223	4	Paper Decal Sheet N/A	78410-0320	1	
20	Front Wheel N/A	74510-2459	1	43	Fender N/A	78410-2249	1	Headlight Decal Sheet N/A	78410-0300	1	
21	Footboard Cover N/A	77410-2159	1	<b>44</b>	<b>Motor w/ Pinion</b>	<b>74590-9539</b>	<b>1</b>				
<b>22</b>	<b>Foot Pedl w/Spring Clip N/A78560-9159 1</b>			<b>46</b>	<b>Gearbox</b>	<b>74580-9269</b>	<b>1</b>				

N/A = Not Available \* See service bulletin 157

**Bold and Underlined parts are to be purchased and installed by Service Centers only. These items may not be sold directly to consumers by Service Centers or Fisher-Price.**

