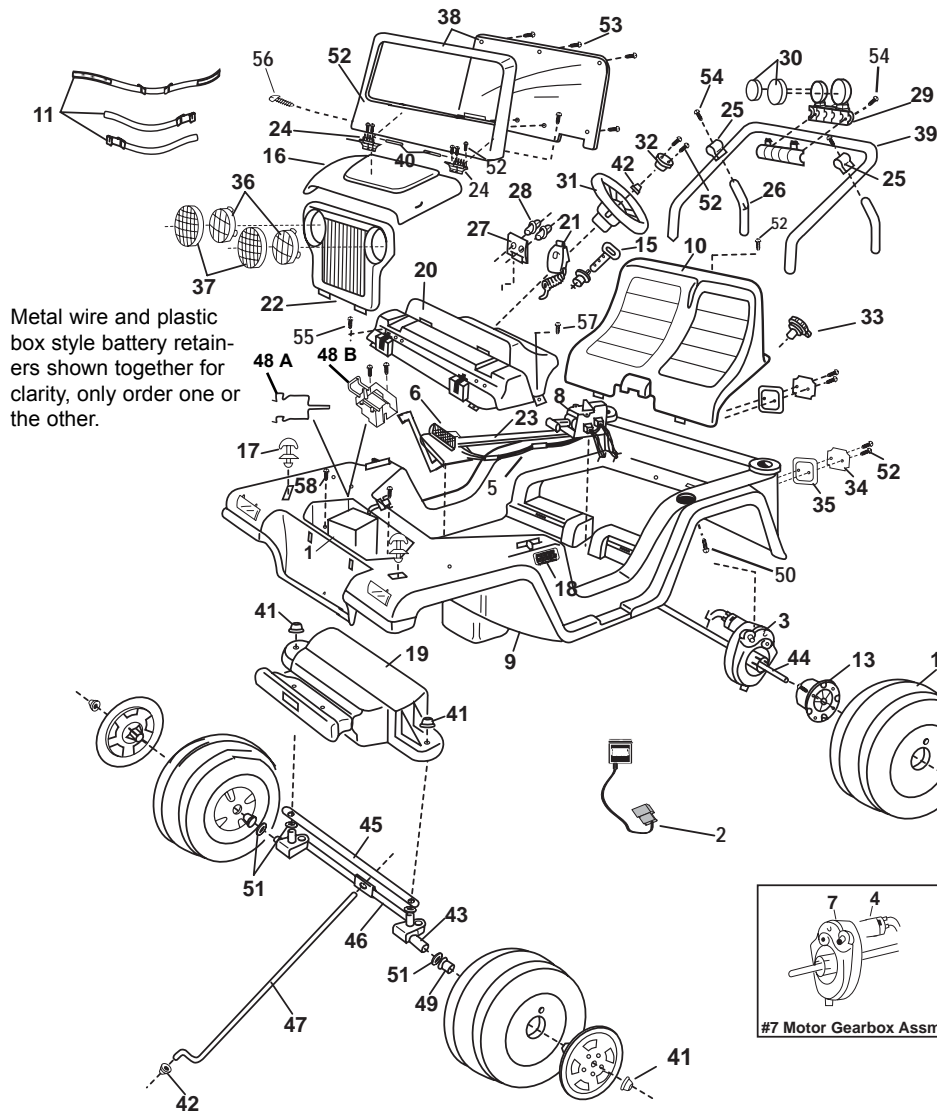


# 78537-9993 Jeep® Wrangler

Advanced Series  
12-VOLT

Age Range: 3-7 Yrs.  
Weight Limit: 130 Lbs.  
Surfaces: Hard, Grass & Hills  
Speed: 2.5 / 5.0 MPH Forward  
2.5 MPH Reverse  
Colors: Blue Body  
Intro: 2/7/00  
Suggested Retail: \$189.99 - 199.99  
Box Dimensions: 20" x 50" x 34"  
In Box Weight: 68 Lbs.  
Warranty: One Year Vehicle  
6 Months Battery



Rev. 08/12/03

Item No.	Description	Part No.	Qty.	Item No.	Description	Part No.	Qty.	No.	Item Description	No.	Part Qty.
<b>Working / Electrical Parts</b>				78537-2779		2		49A	Battery Retainer before 2/7/00	74020-4819	1
1	Battery	00801-0638	1	25	Sport Bar Bracket Set	74020-2179	1	48B	Battery Retainer after 2/7/00	74020-9819	1
2	12V Charger (single battery)	00801-0973	1	26	Sport Bar Support	78490-2229	2	49	Axle Bushing	74550-2689	2
3	<b>#7 Motor Gearbox Assembly</b>	<b>00968-2902</b>	2	27	Knob Bezel	74020-2719	1	50	1/4"x1-1/2" Roll Bar Screws	0801-0467	2
4	<b>Motor Pinion Assembly</b>	<b>74440-9579</b>	2	28	Dash Knob	74526-2199	2	(N/A separately / order hardware parts bag)			
5	<b>Main Harness Assembly</b>	<b>78490-9699</b>	1	29	Light Rack	74340-9349	1	51	7/16" Washer	0801-0196	4
6	Footboard Assembly	78490-9829	1	30	Light Cover	78537-2169	2	52	#8 x 1" Screw	0801-0224	11
7	<b>#7 Gearbox w/out Motor</b>	<b>00968-2802</b>	2	31	Steering Wheel	74440-2379	1	53	#8 x 1-1/4" Screw	0801-0216	10
8	Shifter Assembly	73690-9439	1	32	Steering Wheel Button	74550-2729	1	54	#6 x 1-1/2" Screw	0801-0469	4
<b>Plastic / Other Parts</b>				33	Gas Cap	74526-2089	1	55	#10 x 1" Screw (in dash)	0801-0220	2
9	Body (N/A)	78537-210A	1	34	Taillight Lens Set	73233-2279	1	56	#10 x 3" Frame Screw N/A	0801-0256	2
10	Seat	78490-2319	1	35	Taillight Housing Set	74020-2759	1	57	#10 x 1/2" Screw N/A	0801-0540	2
11	Seatbelt Set	74460-5339	1	36	Headlight Lens	74440-2879	2	58	1/4" x 1-1/2" Self Tapp Screw N/A	0801-0578	2
12	Wheel	74020-2459	4	37	Headlight Lens Guard	74460-2339	2				
13	Wheel Driver	74460-2249	2	38	Windshield Assembly	74020-9619	1				
14	Hubcap	74020-2579	4	<b>Hardware / Metal Parts</b>				<b>Parts Not Shown</b>			
15	Key/Housing Assembly	78490-9369	1	39	Sport Bar	74450-9219	1	Large Parts Bag N/A 78537-9249 1			
16	Hood	78537-235A	1	40	Windshield Hinge Pin	0801-0257	2	Small Parts Bag N/A 78537-9259 1			
17	Hood Latch	74020-9559	2	41	.437 Cap Nut (Black)	0801-0226	6	Literature Bag 78537-9019 1			
18	PW Emblem	74460-9069	2	42	.354 Cap Nut (Black)	0801-0604	2	Hardware Bag 74020-9059A 1			
19	Front Module	74020-2119	1	43	Front Axle	74440-4509	2	Owner's Manual N/A 78537-0920 1			
20	Dash (red)	4000-0245	1	44	Rear Axle	74440-4519	1	Main Label Sheet 78537-0310 1			
21	Mic w/Cord	73233-9479	1	45	Cross Bar	74460-4419	1	Holographic Wrangler Label Sheet 74020-0320 1			
22	Grille	74020-2849	1	46	Steering Linkage Assy.	74440-9419A	1	<b>Footswitch</b> <b>0801-0933</b> 1			
23	Channel Cover	78537-2289	1	47	Steering Column	78490-4239	1				
24	Windshield Bracket										

N/A = Not Available

**Bold and Underlined parts are to be purchased and installed by Service Centers only. These items may not be sold directly to consumers by Service Centers or Fisher-Price.**