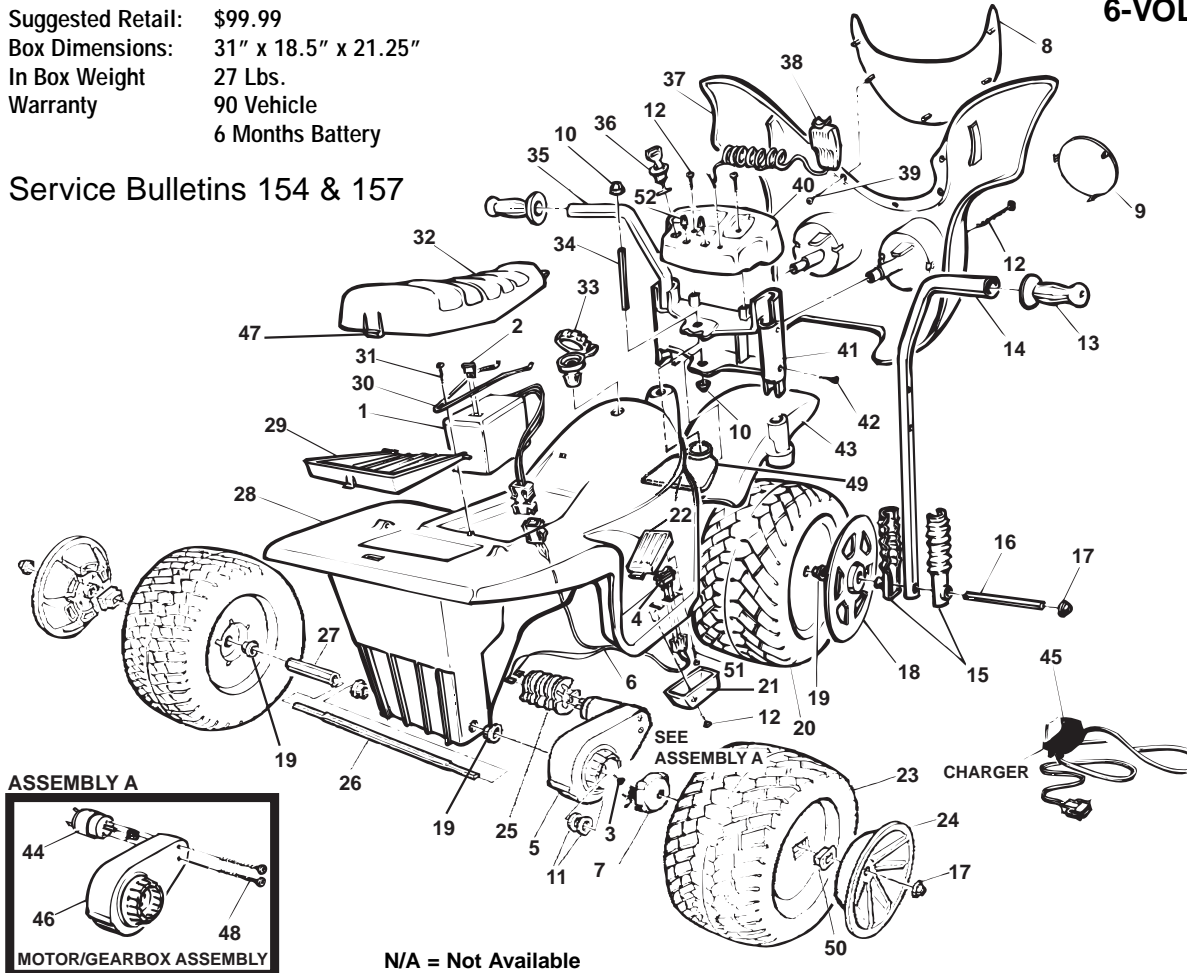


Age Range: 1 1/2 - 4 Yrs.
 Weight Limit: 50 Lbs.
 Surfaces: Hard
 Speed: 2.5 MPH
 Colors: Blue / Purple
 Red Seat
 Black Wheels
 Intro: 5-22-97
 Suggested Retail: \$99.99
 Box Dimensions: 31" x 18.5" x 21.25"
 In Box Weight: 27 Lbs.
 Warranty: 90 Vehicle
 6 Months Battery

78410-9993 Kawasaki[®] ZX-7

Preschool Series
 6-VOLT

Service Bulletins 154 & 157



N/A = Not Available

Rev. 09/12/03

Item No.	Description	Part No.	Qty.	Item No.	Description	Part No.	Qty.	Item No.	Description	Part No.	Qty.
1	Battery	00801-1234	1	24	Rear Hubcap	78542-2589	2	47	Lock Fastener	78570-2239	1
2	25 amp Fuse	0801-0151	1	25	**Motor Cover	76803-2489	1	48	Motor Bolt	0801-0198	2
3	Wheel Driver Screw	0801-0255	1	26	Rear Axle	74510-4549	1	49	Flex Plate	74510-2159	1
4	*Foot Switch	0801-0538	1	27	Axle Spacer Tube	74510-4449	1	50	Rectangular Wheel Bushing	77410-2679	2
5	Motor/Gearbox Assembly	74780-9509	1	28	Body (N/A)	78410-2109	1	51	1" Screw	0801-0273	1
6	*Wiring Harness	78410-9799	1	29	Trunk Lid	78410-2329	1	52	Radio Knobs	74510-2149	2
7	Driver	77410-2239	1	30	Battery Retainer	74510-4439	1	PARTS NOT SHOWN			
8	Windshield	74510-2179	1	31	7/8" Screw	0801-0228	1	#6 - 20 x 1" Screw for			
9	Lens Cover Set	74510-9159	1	32	Seat	78410-2309	1	Swivel Bracket 0801-0254 1			
10	.354 Cap Nut	0801-0215	2	33	Gas Cap	74780-2049	1	11/4" Screw for Flex Plate 0801-0216 2			
11	7/16" Washer	0801-0196	2	34	Pivot Pin	74510-4429	1	Handlebar Plugs 74510-2169 2			
12	1-1/2" Screw	0801-0308	5	35	Left Handlebar	74510-4239	1	Literature Bag 78410-9029 1			
13	Handgrip	73560-2129	2	36	Key Housing	74550-2439	1	Adhesive Harness Clip 0801-0313 1			
14	Right Handlebar	74510-4219	1	37	Fairing	78410-2729	1	Main Decal Sheet 78410-0330 1			
15	Shock Set	78542-2089	1	38	Microphone	74550-9479	1	Paper Decal Sheet 78410-0320 1			
16	Front Axle	74510-4519	1	39	3/8" Screw	0801-0219	2	Headlight Decal Sheet 78410-0300 1			
17	.437 Cap Nut	0801-0214	4	40	Dash	78542-2699	1	Large Parts Bag 78410-9249 1			
18	Front Hubcap	78542-2579	2	41	Swivel Bracket	74510-2129	1	Small Parts Bag 78410-9259 1			
19	Wheel Spacer	74550-2689	5	42	3/4" Screw	0801-0223	4	Use & Care Manual 78410-0920 1			
20	Front Wheel	74510-2459	1	43	Fender	78410-2249	1				
21	Footboard Cover	77410-2159	1	44	Motor w/ Pinion	74590-9539	1				
22	Foot Pedal w/Spr Clip	78560-9159	1	45	Charger	00801-0975	1				
23	Rear Wheel	74510-2469	2	46	3A Gearbox	74580-9269	1				

*For Footswitch, See **Both** Service Bulletins 154 & 157
 **When depleted, use new motor cover 74750-2539
 (effective 5-24-98)

Bold and Underlined parts are to be purchased and installed by Service Centers only. These items may not be sold directly to consumers by Service Centers or Fisher-Price.

