

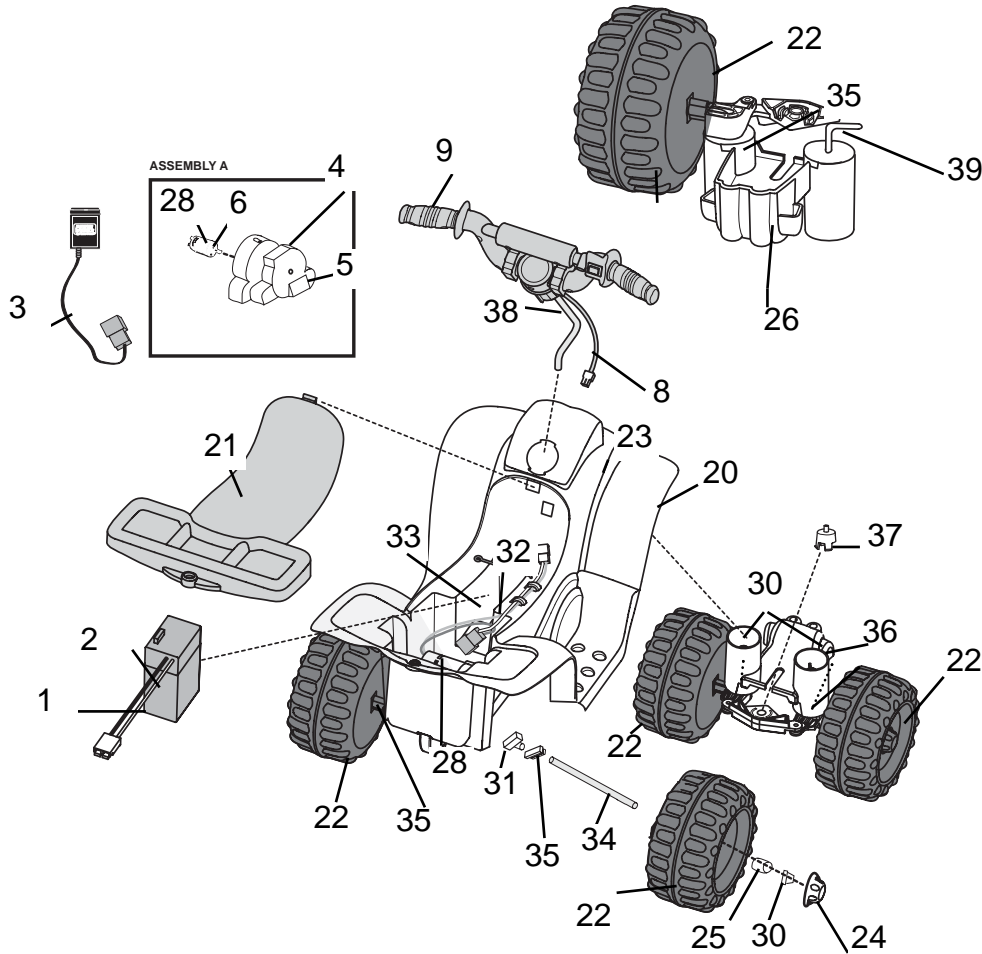
Age Range: 1-3 years  
 Weight Limit: 40 Lbs.  
 Surfaces: Hard and Grass  
 Speed: 2.0 MPH Forward  
 Colors: Blue and Yellow  
 With Black Wheels  
 Intro: 2002  
 Suggested Retail: \$79.99  
 Box Dimensions: 25.25 x 13 x 16.375  
 Warranty: One Year Vehicle  
 6 Months Battery



# 77768-9993 Lil Kawasaki

TRU Exclusive

## Toddler Series Mini 6 Volt



Item No.	Description	Part No.	Qty.	Item No.	Description	Part No.	Qty.	Item No.	Description	Part No.	Qty.
<b>Working / Electrical Parts</b>				25	Wheel Bushing	77768-2129	4	77768-0310	Main Decal Sheet	77768-0310	1
1	Battery 6 Volt 4 amp, blue	0801-0336	1	26	Brushguard	77760-2139	1	0801-0253	5/16" Washer	0801-0253	2
2	Fuse, 25 amp	0801-0151	1	28	Motor Cover	77760-2159	1	<b><u>00801-1198</u></b>	<b><u>PIC Switch pushbutton</u></b>	<b><u>00801-1198</u></b>	<b><u>1</u></b>
3	Charger Fused 6 Volt 4 amp	00801-0976	1	<b>Hardware / Metal Parts</b>							
<b><u>4</u></b>	<b><u>Motor Gearbox Assembly</u></b>	<b><u>00968-3900</u></b>	<b><u>1</u></b>	30	Cap nut .354	0801-0604	8				
<b><u>5</u></b>	<b><u>Gearbox W/out Motor</u></b>	<b><u>00968-3800</u></b>	<b><u>1</u></b>	31	Bushing w/o extension	76920-2549	2				
<b><u>6</u></b>	<b><u>Motor Pinion Assembly</u></b>	<b><u>00968-3700</u></b>	<b><u>1</u></b>	32	Battery Retainer	74230-4129	1				
<b><u>7</u></b>	<b><u>Main Harness Assembly</u></b>	<b><u>77760-9699</u></b>	<b><u>1</u></b>	33	#8 x 7/8" Trusshead Screw	0801-0228	2				
8	Handlebar Wire Harness	77760-9799D	1	34	Rear Axle	77760-4529	1				
9	Handle Bar Assm.	77768-9209D	1	35	Wheel Bushing w/ extension	76920-2659	4				
Includes Handle Bar Harness/Switch/Steering Column				36	Front Wheel Assm.	77768-9139D	1				
<b>Plastic / Other Parts</b>				37	Steering Column Retainer	77760-2359	1				
20	Body	N/A	1	38	Steering Column	77760-4539	1				
21	Seat	3800-7068	1	39	Front Axle	77760-4519	2				
22	Wheel	77760-2119	4	<b>Parts Not Shown</b>							
23	PW Snap-In Emblem	74460-9069	1	Owner's Manual	77760-0920		1				
24	Wheel Cover	76790-2349	4								

N/A = Not Available

**Bold and Underlined parts are to be purchased and installed by Service Centers only. These items may not be sold directly to consumers by Service Centers or Fisher-Price.**

Rev. 07/06/04