

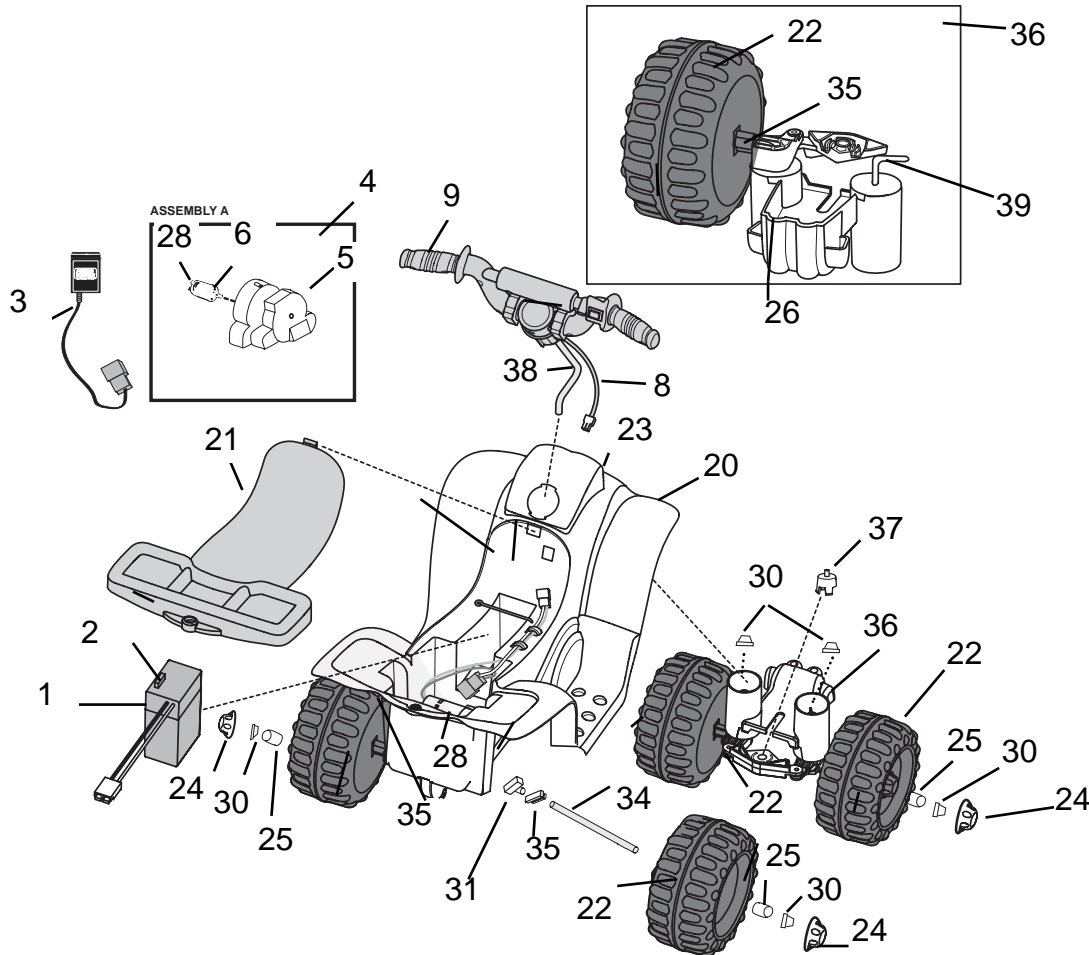
Age Range: 1-3 years  
 Weight Limit: 40 Lbs.  
 Surfaces: Hard and Grass  
 Speed: 2.0 MPH Forward  
 Colors: Pink and Purple  
 With Purple Wheels  
 Intro: 2002  
 Suggested Retail: \$79.99  
 Box Dimensions: 25.25 x 13 x 16.375  
 Warranty: One Year Vehicle  
 6 Months Battery



# 77767-9993 Lil Barbie Trailrider

TRU Exclusive

Toddler Series  
Mini 6 Volt



Item No.	Description	Part No.	Qty.	Item No.	Description	Part No.	Qty.	Item No.	Description	Part No.	Qty.
<b>Working / Electrical Parts</b>											
1	Battery 6 Volt 4 amp, blue	0801-0336	1	25	Wheel Bushing	77767-2129	4	36	Main Decal Sheet	77767-0310	1
2	Fuse, 25 amp	0801-0151	1	26	Brushguard	77767-2139	1	37	5/16" Washer	0801-0253	2
3	Charger Fused 6 Volt 4 amp	00801-0976	1	28	Motor Cover	77767-2159	1	38	<b>PIC Switch pushbutton</b>	<b>00801-1198</b>	<b>1</b>
4	<b>Motor Gearbox Assembly</b>	<b>00968-3900</b>	<b>1</b>	<b>Hardware / Metal Parts</b>							
5	<b>Gearbox W/out Motor</b>	<b>00968-3800</b>	<b>1</b>	30	Cap nut .354	0801-0548	8				
6	<b>Motor Pinion Assembly</b>	<b>00968-3700</b>	<b>1</b>	31	Bushing w/o extension	74504-2549	2				
7	<b>Main Harness Assembly</b>	<b>77760-9699</b>	<b>1</b>	32	Battery Retainer	74230-4129	1				
8	Handlebar Wire Harness	77760-9799D	1	33	#8 x 7/8" Trusshead Screw	0801-0228	2				
9	Handle Bar Assm.	77767-9209D	1	34	Rear Axle	77760-4529	1				
	Includes Handle Bar Harness/Switch/Steering Column.s			35	Wheel Bushing w/ extension	78560-2659	4				
<b>Plastic / Other Parts</b>											
20	Body	N/A	1	36	Front Wheel Assm.	77767-9139D	1				
21	Seat	3800-7067	1	37	Steering Column Retainer	77760-2359	1				
22	Wheel	77767-2119	4	38	Steering Column	77760-4539	1				
23	PW Snap-In Emblem	74460-9069	1	39	Front Axle	77760-4519	2				
24	Wheel Cover	76790-2349	4	<b>Parts Not Shown</b>							
					Owner's Manual	77760-0920	1				

N/A = Not Available

Rev. 06/15/04

**Bold and Underlined parts are to be purchased and installed by Service Centers only. These items may not be sold directly to consumers by Service Centers or Fisher-Price.**