

Age Range: 3-7 Yrs.
 Weight Limit: 65 Lbs.
 Surfaces: Grass & Hard
 Speed: 2.5 / 5.0 MPH Forward
 2.5 MPH Reverse
 Colors: 75200 Black Body
 75201 Blue Body
 75202 Purple Body
 75203 White Body
 All have Flame Trim
 Intro: 8-11-00 U.S.
 Suggested Retail: \$199.99
 Box Dimensions: 40" x 20" x 25"
 35 Lbs.
 Warranty: One Year Vehicle
 6 Months Battery

75200/01/02/03-9993

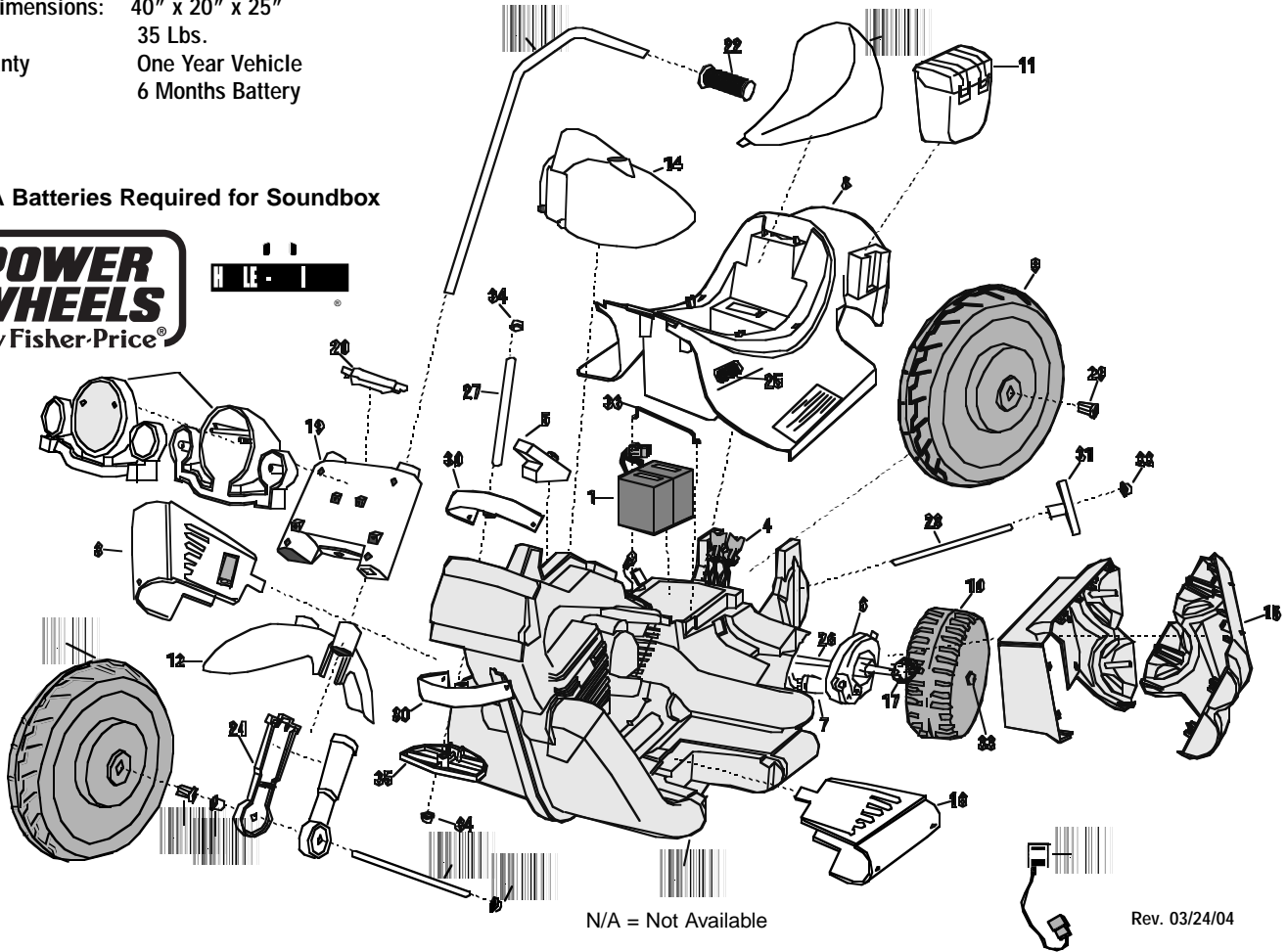
My Design

Harley Davidson® Motorcycle

Advanced Series

Non H.E. 12 Volt

3 AA Batteries Required for Soundbox



N/A = Not Available

Rev. 03/24/04

Item No.	Description	Part No.	Qty.	Item No.	Description	Part No.	Qty.	Item No.	Description	Part No.	Qty.
Working / Electrical Parts											
1	6 Volt Battery	00801-0712	2	15	Gas Tank White	75203-214A	1	34	.345 Cap Nut	0801-0604	3
2	12V Charger	00801-0973	1	16	Exhaust Set (banded)	74370-9169	1	35	Steering Stop	74370-2369	1
3	Footboard Assembly w/switch	75200-9239	1	17	Footboard / Left	74370-2249	1	36	Battery Retainer	74290-4419	1
4	<u>Wiring Harness Assembly</u>	<u>74290-9799</u>	1	18	Driver	73233-2239	2	Parts Not Shown			
5	<u>Soundbox</u>	<u>74290-9559</u>	1	19	Frame (incl. L & R sides) N/A	75200-9219	1	Decal Sheet	N/A	75200-0310	1
6	<u>#7 Motor Gearbox Assm.</u>	<u>00968-2901</u>	2	20	Fork Black (upper)	75200-2349	1	Literature Bag	N/A	75200-9019	1
7	<u>Motor w/Pinion</u>	<u>74290-9539</u>	2	21	Fork Blue (upper)	75201-2349	1	Owner's Manual	N/A	75200-0920	1
Plastic / Other Parts											
8	Body Black (N/A)	75200-2109	1	22	Fork Purple (upper N/A)	75202-2349	1	Small Parts Bag	N/A	75200-9159	1
	Body Blue (N/A)	75201-2109	1	23	Fork White (upper) N/A	75203-2349	1	Hardware Bag	N/A	75200-9279	1
	Body Purple (N/A)	75202-2109	1	24	Fork Cover	74370-2389	1	Large Parts Bag Black	N/A	75200-9249	1
	Body White (N/A)	75203-2109	1	25	Handlebar Set (banded)	74370-9029	1	Large Parts Bag Blue	N/A	75201-9249	1
9	Large Wheel	74290-2159	2	26	Handgrip	74370-2399	2	Large Parts Bag Purple	N/A	75202-9249	1
10	Drive Wheel (Small)	74290-2269	2	27	Headlight Assembly N/A	74370-9289	1	Large Parts Bag White	N/A	75203-9249	1
11	Saddle Bag	74370-2129	2	28	Shock Set (banded)	74370-9329	1	Large Parts Bag White N/A	N/A	75203-9249	1
12	Front Fender Black N/A	75200-213A	1	29	PW Emblem	74460-9069	2	<u>Gearbox W/Out Motor</u>	<u>00968-2801</u>	1	
	Front Fender Blue N/A	75201-213A	1	Hardware / Metal Parts							
	Front Fender Purple N/A	75202-213A	1	26	Axle (drive wheel)	74290-4509	1	Control Switch	00801-0933	1	
	Front Fender White	75203-213A	1	27	Axle (fork)	74290-4529	1	3/4" Plastite Screw	0912-8001	55	
13	Seat	74290-2309	1	28	Axle (wheel)	74290-4519	2	Bold and Underlined parts are to be purchased and installed by Service Centers only. These items may not be sold directly to consumers by Service Centers or Fisher-Price.			
14	Gas Tank Black N/A	75200-214A	1	29	Bushing (hex)	73233-2559	4				
	Gas Tank Blue N/A	75201-214A	1	30	Bushing (steering)	74370-2359	2				
	Gas Tank Purple N/A	75202-214A	1	31	Bushing (axle/silver)	74370-2379	2				
				32	Bushing (round/black)	74550-2689	2				
				33	.437 Cap Nut	0801-0226	6				