



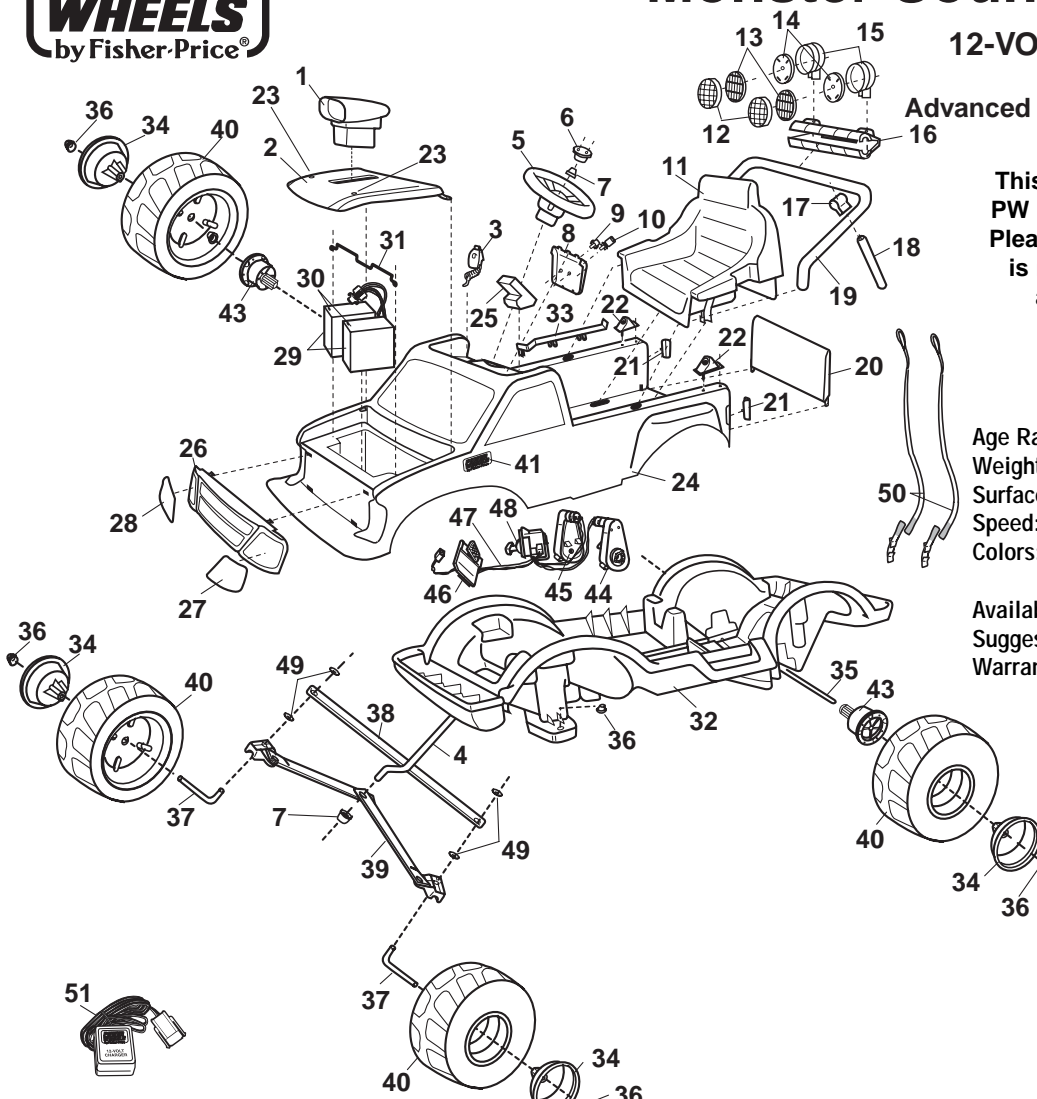
74420-9993 Monster Sound BIGFOOT®

12-VOLT

Advanced Series

This product is affected by the PW recall announced Oct 1998. Please confirm that the product is modified or remediated in accordance with policy.

Age Range: 3-7 Yrs.
 Weight Limit: 65 Lbs.
 Surfaces: Hard, Grass & Hills
 Speed: 2.5 / 5.0 MPH
 Colors: Black Body
 Yellow (Flame) Trim
 Available: 8-9-96 - 1997
 Suggested Retail: \$169.99
 Warranty: 90 Days Vehicle
 6 Months Battery



Rev. 07/14/03

| Item No. | Description | Part No. | Qty. | Item No. | Description | Part No. | Qty. | Item No. | Description | Part No. | Qty. |
|----------|-------------------------|------------|------|------------------|------------------------------|--------------------------|-----------------|------------------|--|--------------------------|-----------------|
| 1 | Airscoop N/A | 74420-9719 | 1 | N/A | 0801-0197 | 2 | | <u>47</u> | <u>Wire Harness Assembly</u> | <u>74210-9789</u> | <u>1</u> |
| 2 | Hood N/A No Sub | 74420-2129 | 1 | 24 | Vehicle Body (N/A) | 74420-2109 | 1 | 48 | Shifter Assembly | 73690-9439 | 1 |
| 3 | Microphone | 74420-9619 | 1 | 25 | Sound Box N/A | 74420-9449 | 1 | 49 | 7/16" Washer | 0801-0196 | 4 |
| 4 | Steering Column | 74420-4239 | 1 | 26 | Grille N/A | 74420-2149 | 1 | 50 | Seatbelt Set N/A | 74420-5339 | 1 |
| 5 | Steering Wheel | 74440-2379 | 1 | 27 | Headlight Set N/A | 74420-2069 | 1 | 51 | 12-Volt Charger | 00801-0973 | 1 |
| 6 | Steering Wheel Cap | 74550-2729 | 1 | 28 | Order #27 (2 pc set) | | | 52 | Lock Fastener | 78570-2439 | 2 |
| 7 | Cap Nut .354 | 0801-0604 | 3 | 29 | 6 Volt Battery | 00801-0712 | 2 | Not Shown | | | |
| 8 | Sound Box Cover N/A | 74420-2099 | 1 | 30 | 30 Amp Fuse N/A | 0801-0229 | 3 | | Main Decal N/A | 74420-0310 | 1 |
| 9 | Knob N/A | 74420-2089 | 1 | 31 | Battery Retainer | 74420-4019 | 1 | | Literature Bag N/A | 74420-9019 | 1 |
| 10 | Key N/A | 74420-2049 | 1 | 32 | Tub N/A | 74420-2119 | 1 | | Large Parts Bag | 74420-9249 | 1 |
| 11 | Seat N/A | 74420-2409 | 1 | 33 | Channel Cover N/A | 74420-2039 | 1 | | Small Parts Bag N/A | 74420-9259 | 1 |
| 12 | Headlight Lens Guard | 74460-2339 | 2 | 34 | Hubcap N/A | 74420-2079 | 4 | | #8 x 1" Screw (Black) | 0801-0224 | 18 |
| 13 | Headlight Lens | 74440-2879 | 2 | 35 | Rear Axle | 74420-4519 | 1 | | #6 x 1-1/2" Screw | 0801-0221 | 2 |
| 14 | Light Cover | 74460-2169 | 2 | 36 | .437 Cap Nut | 0801-0226 | 6 | | #6 x 1/2" Screw | 0801-0222 | 4 |
| 15 | Light Housing N/A | 74440-2239 | 2 | 37 | Front Axle | 74420-4509 | 2 | | #6 - 20 x 3/8" Screw N/A | 0801-0219 | 2 |
| 16 | Sport Bar Cover N/A | 74440-2059 | 1 | 38 | Crossbar | 74420-4259 | 1 | | 3/16" Washer (N/A) | 0801-0155 | 2 |
| 17 | Sport Bar Bracket (Set) | 73233-2179 | 1 | 39 | Steering Linkage | 74420-4289 | 1 | | <u>Gearbox w/out Motor</u> | <u>74550-9279</u> | <u>2</u> |
| 18 | Sport Bar Support | 74420-2229 | 2 | 40 | Wheel | 74420-2459 | 4 | | <u>Bold and Underlined parts are to be purchased and installed by Service Centers only. These items may not be sold directly to consumers by Service Centers or Fisher-Price.</u> | | |
| 19 | Sport Bar N/A | 74420-4229 | 1 | 41 | Emblem | 74460-9069 | 1 | | | | |
| 20 | Tailgate N/A No Sub | 74420-2139 | 1 | 43 | Driver | 74440-2229 | 2 | | | | |
| 21 | Taillight Lens Set | 74420-2059 | 1 | <u>44</u> | <u>Motor w/Pinion</u> | <u>74590-9539</u> | <u>2</u> | | | | |
| 22 | Sport Bar Foot Set | 78640-2179 | 1 | 45 | 3B Motor/Gearbox Assy. | 74110-9519 | 2 | | | | |
| | | 23 | | 46 | Footboard Assembly | 74440-9829 | 1 | | | | |
| | | | | | | | | | | | |

N/A = Not Available