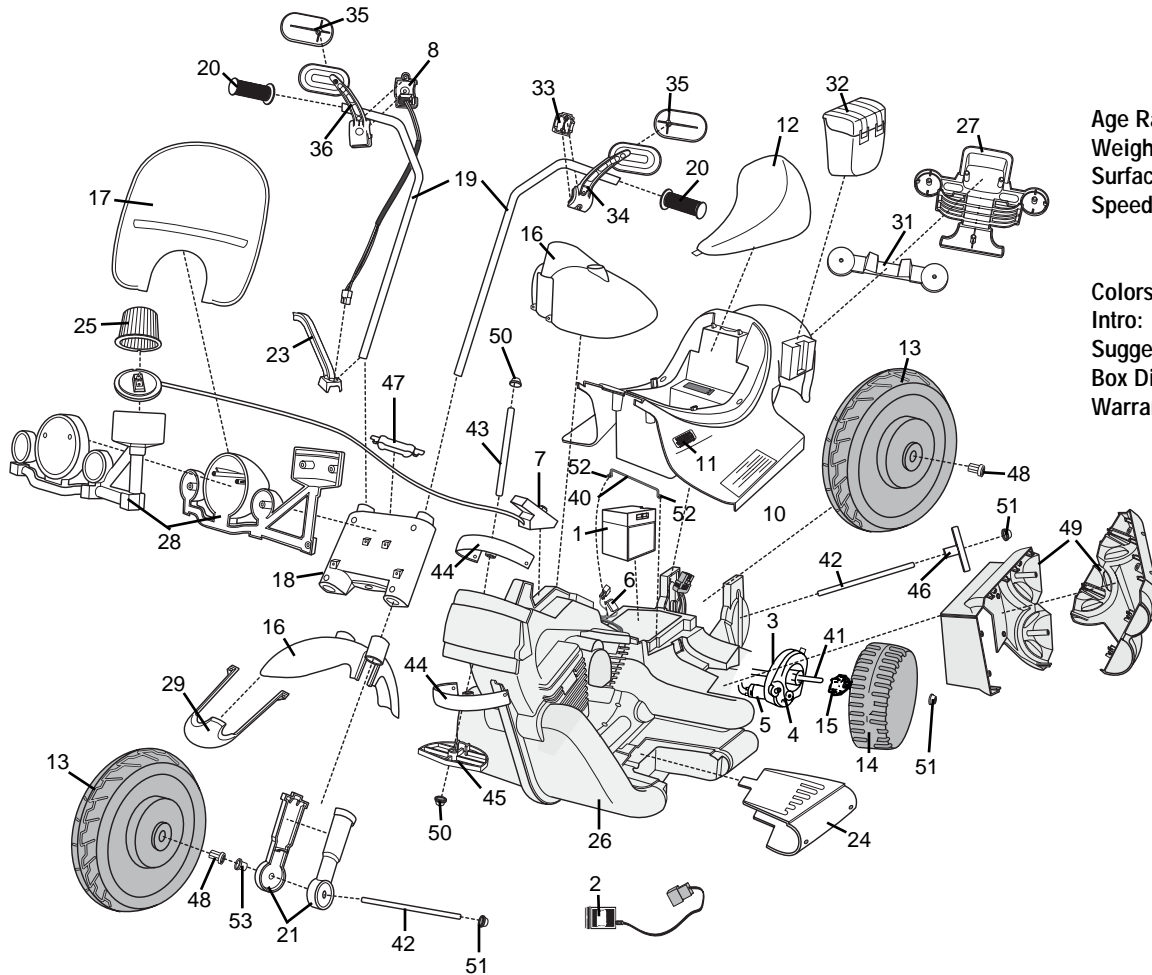




# 74287-9993 Police Harley

Advanced Series 12 Volt



Age Range: 3-7 years  
 Weight Limit: 65 lbs  
 Surfaces: Hard and grass  
 Speed: 5.0 forward,  
 2.5 forward,  
 2.5 reverse  
 Colors: Black and White  
 Intro: 2001  
 Suggested Retail: \$249.99  
 Box Dimensions:  
 Warranty One Year Vehicle  
 6 Months Battery

Rev. 08/07/03

Item No.	Description	Part No.	Qty.	Item No.	Description	Part No.	Qty.	Item No.	Description	Part No.	Qty.
<b>Working / Electrical Parts</b>				26	Frame Assembly	74287-9219	1	53	7/16" Round Bushing	74550-2689	2
1	Battery	00801-0638	1	27	Taillight	75210-2299	1	<b>Parts Not Shown</b>			
2	Charger	00801-0972	1	28	Police Headlight Set	74287-9289	1	Large Parts Bag	74287-9249	1	
3	<b>Motor Gearbox Assembly</b>	<b>00968-2901</b>	2	29	Fender Tip	75210-2419	1	Small Parts Bag	74287-9259	1	
4	<b>Gearbox W/out Motor</b>	<b>00968-2801</b>	2	30	PC Board	74287-9729	1	Hardware Bag	74287-9279	1	
5	<b>Motor Pinion Assembly</b>	<b>74290-9539</b>	2	31	Taillight Cover	75210-2479	1	Owner's Manual	74287-0920	1	
6	<b>Main Harness Assembly</b>	<b>74287-9799</b>	1	32	Saddle Bag	74290-2129	2	Main Decal Sheet	74287-0310	1	
7	Soundbox and Light	74287-9569	1	33	Mirror Clamp	75209-2429	1	Control Switch	00801-0873	1	
8	Handlebar Harness	74287-9759	1	34	Mirror Housing Left	75209-2449	2	Footswitch	00801-0933	1	
<b>Plastic / Other Parts</b>				35	Mirror Lens	75209-2469	2	Paper Kit	74287-PAPER	1	
10	Body	N/A		36	Mirror Housing Right	74287-2429	1	Right footboard, with switch	74370-9239	1	
11	Emblem	74460-9069	1	<b>Hardware / Metal Parts</b>				#8 x 1/2" Screw	0801-0202	5	
12	Seat	74290-2309	1	40	Battery Retainer	74290-4419	1				
13	Wheel, Large	74290-2159	2	41	Axle, Drive Wheel	74290-4509	1				
14	Wheel, Drive	74290-2269	2	42	Axle, Front/Rear Wheel	74290-4519	2				
15	Driver	73233-2239	2	43	Fork Axle	74290-4529	1				
16	Fender and Tank, Bagged	74287-213A	1	44	Steering Bushing	74370-2359	2				
17	Windshield	74287-225A	1	45	Steering Stop	74370-2369	1				
18	Front Fork (white)	74287-2349	2	46	Axle Bushing	74370-2379	1				
19	Handle Bar Set	74287-9029	1	47	Fork Clamp Cover	74370-2389	1				
20	Handgrip	74290-2399	2	48	Hex Bushing	73233-2559	4				
21	Shock Set	74370-9329	1	49	Exhaust Set	74370-9169	1				
23	Wire Cover	74287-2439	1	50	.354 Cap Nut Black	0801-0604	3				
24	Footboard, Left	74370-2249	1	51	.437 Cap Nut Black	0801-0226	6				
25	Lens, Flasher	74287-2469	1	52	#8 x 3/4" Screw	0912-8001	68				

N/A = Not Available

**Bold and Underlined parts are to be purchased and installed by Service Centers only. These items may not be sold directly to consumers by Service Centers or Fisher-Price.**