

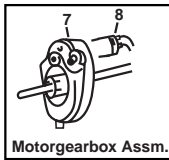
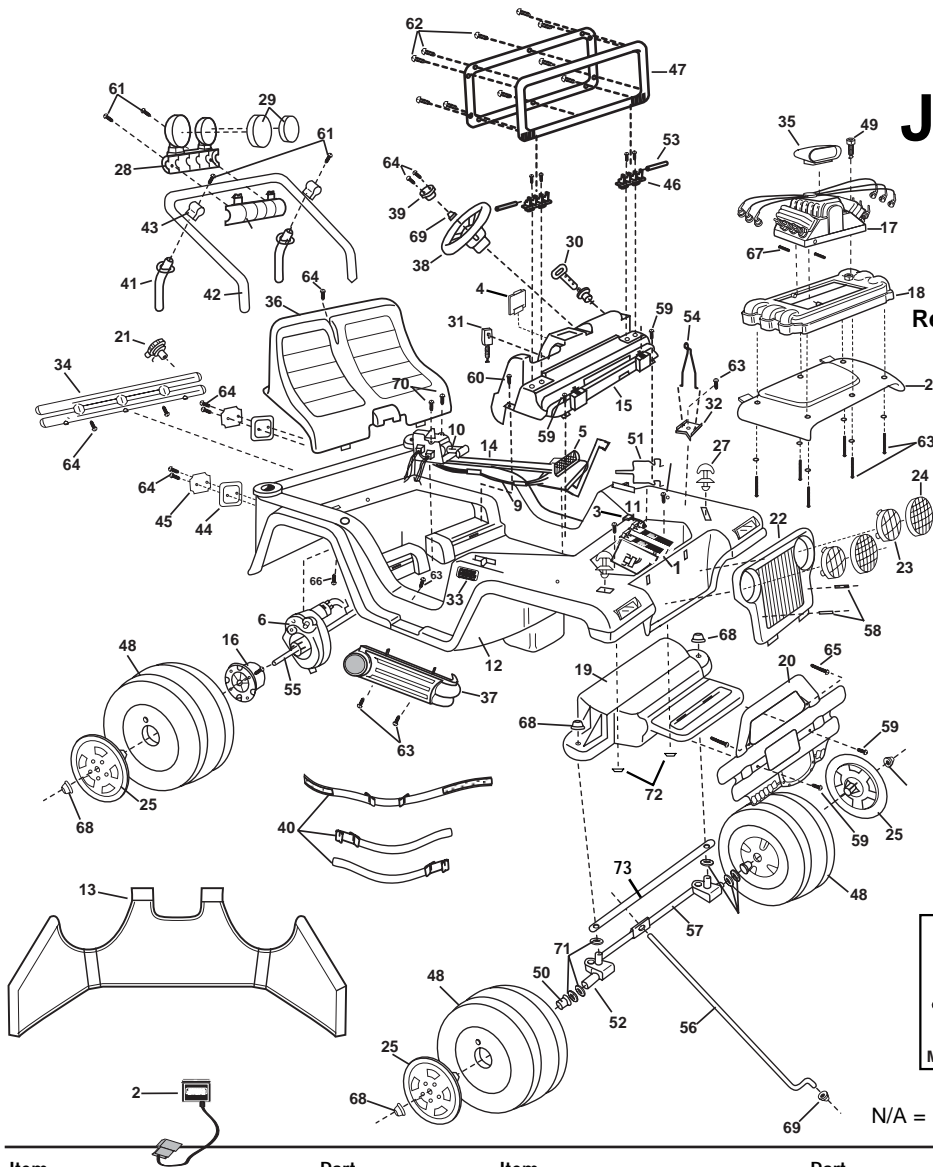
74270-9993

Jeep® Aftershock

Advanced Series 12 Volt

Required (4) C Batteries for Engine Sounds

Age Range: 3-7 Yrs.
 Weight Limit: 130 Lbs.
 Surfaces: Hard, Grass & Hills
 Speed: 2.5 / 5.0 MPH Forward
 2.5 MPH Reverse
 Colors: Black Body
 Red & Yellow Trim
 Intro: 3-8-99
 Suggested Retail: \$299.99
 Box Dimensions: 50.5" x 22.5" x 34"
 Box Weight: 76 Lbs.
 Warranty: One Year Vehicle
 6 Months Battery



N/A = Not Available

Rev. 07/09/03



Item No.	Description	Part No.	Qty.	Item No.	Description	Part No.	Qty.	Item No.	Description	Part No.	Qty.
Working / Electrical Parts											
1	*Battery 6 Volt	00801-0712	2	28	K.C. Light Rack Set (Banded)	74270-9199	1	57	Steering Linkage Assm.	74440-9419A	1
2	*12 Volt Charger	00801-0973	1	29	KC Light Cover	74460-2169	2	58	Spacer	74460-2069	2
3	<u>Dashboard Harness before 1-11-00</u>	<u>74270-9799</u>	1	30	Key Assembly	78490-9369	1	59	#10 x 1" Phillips Screw Black	0801-0220	4
	<u>Dashboard Harness on or after 1-11-00</u>	<u>74270-9899</u>	1	31	Microphone Assm.	74420-9619	1	60	#10 x 1/2" Blunt Tip Screw	0801-0540	2
4	Engine Switch Plate	74270-9279	1	32	Prop Base (Retainer)	74270-2579	1	61	#6 x 1-1/2" Blunt Tip Screw Bk	0801-0469	4
5	Footboard Assembly	74270-9239	1	33	PW Emblem	74460-9069	2	62	#8 x 1-1/4" Phillips Screw	0801-0216	10
6	Gearbox Assm.#7 w/Motor	00968-2910	2	34	Rear Bumper	74270-2039	1	63	#8 x 3/4" Phillips Screw	0801-0223	10
7	<u>Gearbox w/out motor</u>	<u>74310-9529</u>	2	35	Scoop Assembly	74270-9529	1	64	#8 x 1" Phillips Screw - Black	0801-0224	13
8	<u>Motor w/Pinion Assm.</u>	<u>00968-2701</u>	2	36	Seat	74460-2329	1	65	#8 x 4" Pan Head Screw	0801-0516	2
9	<u>*Main Wire Harness Assembly</u>	<u>78490-9899</u>	1	37	Side Pipe Set (Banded)	74270-9049	1	66	1/4" x 1-1/2" Machine Screw (N/A)	0801-0467	2
10	Shifter Assm.	74460-9739	1	38	Steering Wheel	74440-2379	1	(Order hardware bag)			
11	Thermal Fuse	0801-0711	2	39	Steering Wheel Button	74550-2729	1	67	#8 Truss Head Screw (N/A)	0801-0679	2
Plastic / Other Parts											
12	Body (N/A)	74270-9109	1	40	Seat Belt Set (3 Pcs.)	74460-5339	1	(Order hardware bag)			
13	Canopy Assembly (yellow)	74460-9599	1	41	Sports Bar Support	78490-2229	2	68	.437 Cap Nut	0801-0226	6
14	Channel Cover	74460-2289	1	42	Sportsbar Assm.	74450-9219	1	69	.354 Cap Nut	0801-0604	2
15	Dash	74460-268A	1	43	Sportsbar Bracket Set	74270-2179	1	70	#8 X 7/8" Screw	0801-0228	2
16	Driver	74460-2249	2	44	Taillight Housing Set	74270-2759	1	71	7/16" Flat Washer	0801-0196	6
17	Engine Assembly	74270-9419	1	45	Taillight Lens Set	73233-2279	1	72	5/16" Hex Nyloc Nut	0801-0193	2
18	Engine Base	74270-9549	1	46	Windshield Bracket	74270-2639	2	73	Crossbar	74460-4419	1
19	Front Module	74460-2019	1	47	Windshield Set (Taped)	74270-9619	1	Parts Not Shown			
20	Front Brush Guard	74270-2189	1	48	Wheel - 14"	74460-2459	4	Adhesive Clip 0801-0313 1			
21	Gas Cap	74440-2089	1	Hardware / Metal Parts							
22	Grille	74460-2849	1	49	Adjustment Bolt	74270-2569	1	*Hardware Bag 74270-9249A 1			
23	Headlight Lens (blue)	74440-2879	2	50	Axle Bushing	74550-2689	2	*Large Parts Bag 74270-9349 1			
24	Headlight Guard	74460-2339	2	51	*Battery Retainer	78490-4029	1	*Literature Bag 74270-9029 1			
25	Hubcap	74460-6579	4	52	Front Axle (.437 diameter)	74440-4509	2	Main Decal 74270-0310 1			
26	Hood (drilled)	N/A No sub Avail.	1	53	Hinge Pin	0801-0257	2	*Owner's Manual 74270-0920 1			
27	Hoodlatch Assm.	74270-9559	2	54	Prop Rod (Arm)	74270-4559	1	*Small Parts Bag 74270-9359 1			

*See Service Bulletin 165 **Bold and Underlined parts are to be purchased and installed by Service Centers only. These items may not be sold directly to consumers by Service Centers or Fisher-Price.**