

Age Range: 3  
 and up  
 Weight Limit: 65 lbs.  
 Surfaces: Hard  
 Surfaces & Grass  
 Speed: 2.5 For/Rev  
 5.0 Rev  
 Colors: Green Body/Purple  
 Seat/Black Wheels  
 Intro: 2004  
 Suggested Retail: 199.99  
 Box Dimensions:  
 19.875 x 25.750 x 35.750  
 54 lbs.



73600-9997

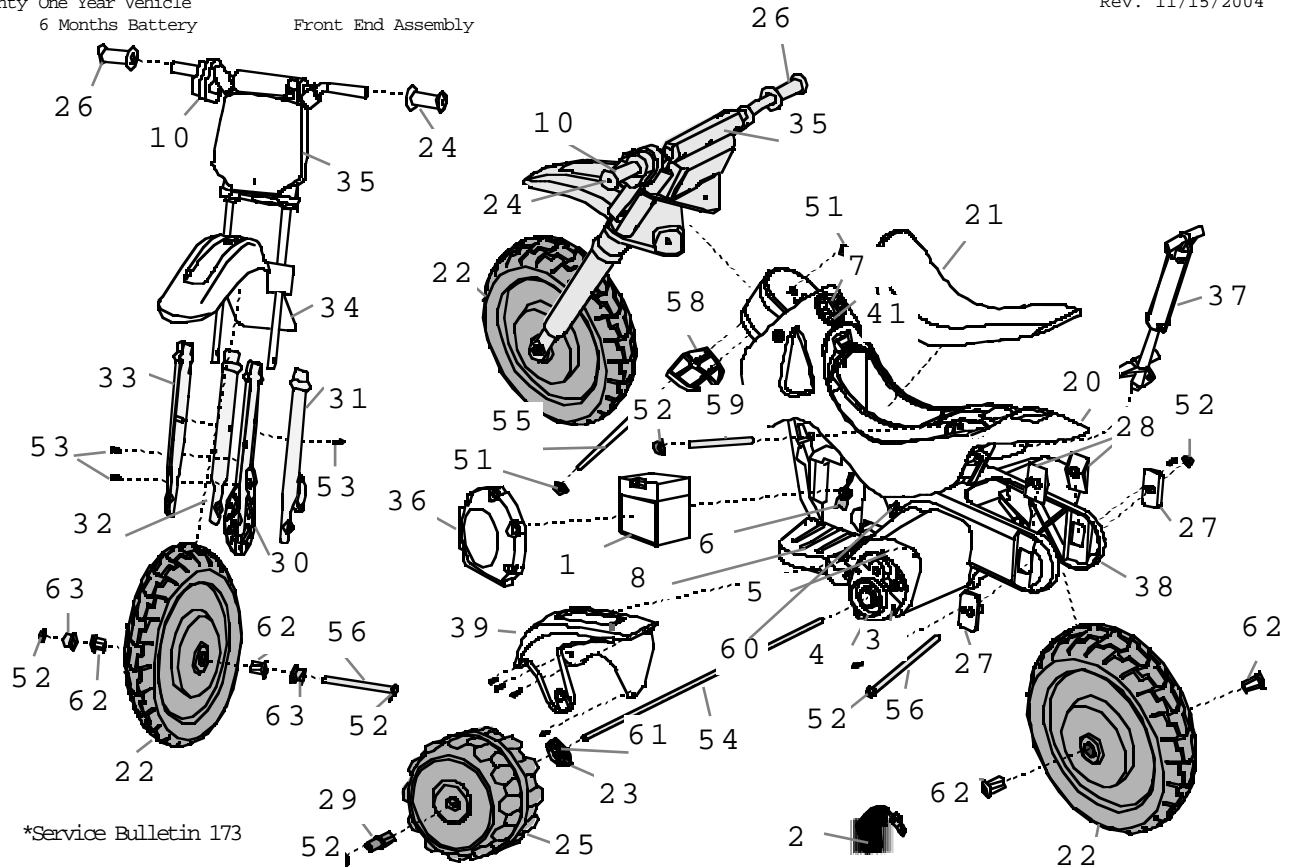
Super Shock Dirtbike Refresh

After 6/24/04

Rev. 11/15/2004

Warranty One Year Vehicle  
 6 Months Battery

Front End Assembly



\*Service Bulletin 173

Item No.	Description	Part No.	Qty. Item	Part	No. Qty.	Description	No.
<b>Working / Electrical Parts</b>				32	Right Inside Shock N/A	73600-2669	1
1	Battery	00801-0638	1	Please Order Shock Parts Bag			
2	Charger (Fused w/probe)	00801-0972	1	33	Right Outside Shock N/A	73600-2679	1
3	Motor Gearbox Assembly	00968-2901	2	Please Order Shock Parts Bag			
4	#7 Gearbox W/out Motor	00968-2801	2	34	Front Fender Assm w/Logo	3800-6794	1
5	Motor Pinion Assembly	74290-9539	2	35	*Front Fork Assm. (2004)	3800-7633	1
6	Main Harness Assembly	3800-6975	1	36	Battery Cover Assm.	3800-6953	1
7	Control Switch F/R	00801-0885	1	37	Mono Shock Assm.	3800-6959	1
8	Left Footboard Assm.	3800-6956	1	38	Frame w/Battery Retainer N/A	73600-92091	1
10	*Turbo Switch assembly	73600-9719	1	39	Fender Set (Left and right)	3800-6796	1
<b>Plastic/Other Parts</b>				41	Gas Cap	73600-2149	1
20	Body N/A	73600-2409	1	<b>Hardware / Metal Parts</b>			
21	Seat	73600-2309	1	51	.354 Retainer Black	0801-0604	3
22	*Wheel, Large	74290-2159	2	52	.437 Cap nut Black	0801-0226	11
23	Driver	73233-2239	2	53	Screw #8 x 3/4	0912-8001	14
24	Hand Grip, Left	74290-2399	1	54	Drive Axle (L - 32.55 inches)	73600-4509	1
25	Wheel, Drive	73600-2269	2	55	Fork Axle (L - 8 inches)	73600-4559	1
26	Hand Grip, Right	73600-2839	1	56	Rear (L - 8.95 inches)/Front Axle (L 8.95 inches)	73600-4549	2
27	Axle retainer outside	73600-2379	2	58	Steering Stop	73600-2659	1
28	Axle retainer inside	73600-2059	2	59	Upper Rod (L - 5 Inches)	73600-4529	1
29	Hex Bushing with extension	73600-2459	6	60	Lower Rod (L - 8.95 inches)	73600-4519	1
30	Left Inside Shock N/A	73600-2629	1	61	Screw #10 x 1/2	0801-0255	2
31	Left Outside Shock N/A	73600-2639	1	62	Hex Bushing (Small)	73233-2559	4
Please Order Shock Parts Bag				63	Round Bushing (Axle)	74550-2689	2
Please Order Shock Parts Bag				<b>Parts Not Shown</b>			
				Large Parts Bag		3800-6982	1
				Shock Parts Bag		3800-6960	1
				Hardware Bag		73600-9279	1
				Owner's Manual		73600-0921	1
				Decal Sheet		73600-0310	1
				PC Board		74287-9729	1
				Foot Switch (Plunger Type)		00801-0933	1
				Footboard Cover		73600-2249	1
				Right footboard Assm.		3800-6957	1

N/A = Not

Bold and Underlined parts are to be purchased and installed by Service Centers only. These items may not be sold directly to consumers by Service Centers or Fisher-Price.