

# For 73210-9993 Harley Davidson Motorcycles made before 2/25/02

Age Range: 3-7 Yrs.  
 Weight Limit: 65 Lbs.  
 Surfaces: Grass & Hard  
 Speed: 2.5 / 5.0 MPH Forward  
 2.5 MPH Reverse  
 Colors: Blue Body  
 Flame Trim  
 Intro: 02-05-01 U.S.  
 Suggested Retail: \$199.99  
 Box Dimensions: 40" x 20" x 25"  
 35 Lbs.  
 Warranty: One Year Vehicle  
 6 Months Battery

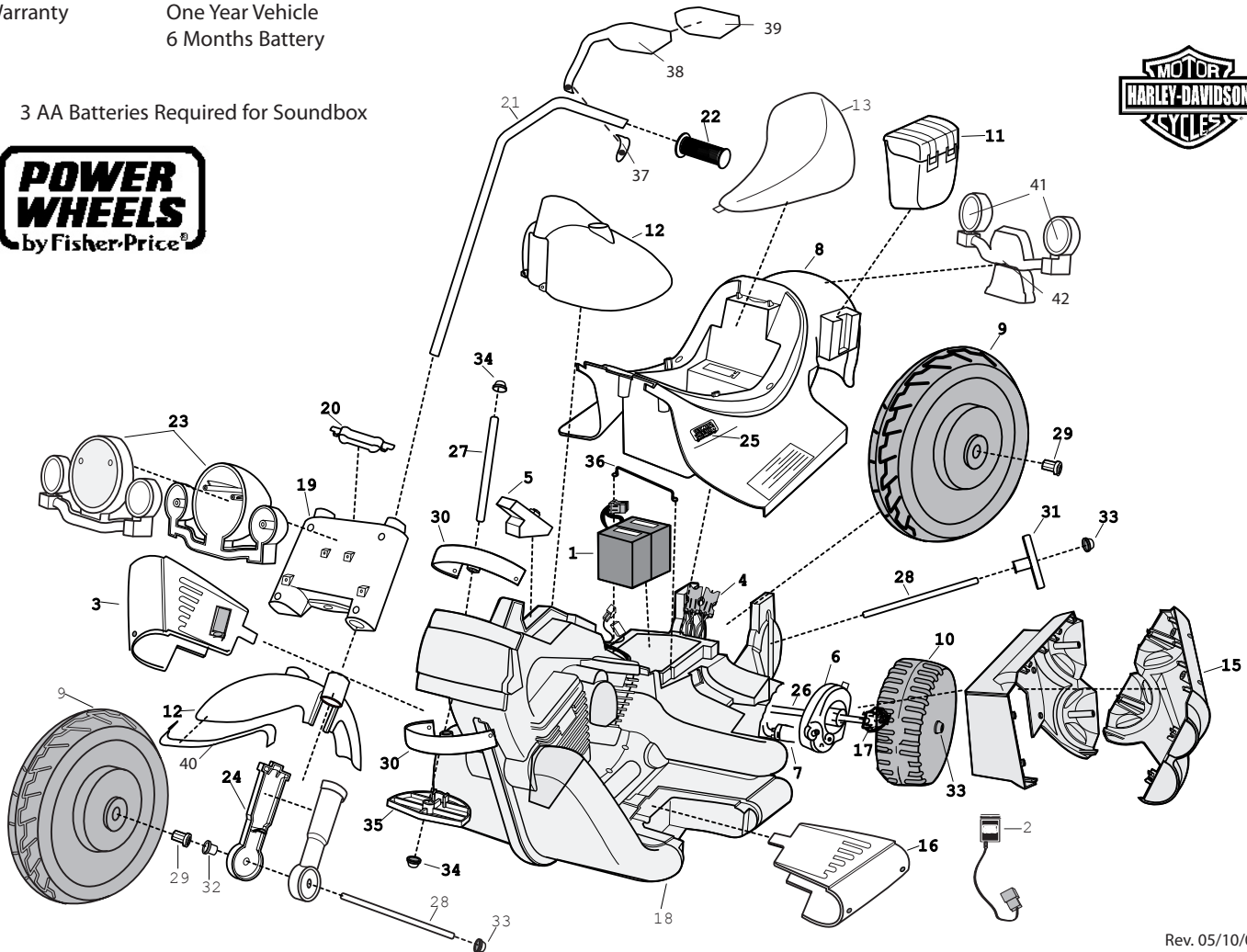
## 73210-9993

# Harley Davidson® Motorcycle

Advanced Series  
 Non H.E. 12 Volt



3 AA Batteries Required for Soundbox



Rev. 05/10/06

Item No.	Description	Part No.	Qty.	Item No.	Description	Part No.	Qty.	Item No.	Description	Part No.	Qty.
<b>Working / Electrical Parts</b>				21	Handlebar Set (banded)	74290-90291	1	<b>Parts Not Shown</b>			
1	6 Volt Battery	00801-0712	2	22	Handgrip	74290-2399	2	Mirror Housing Right	75209-2459	1	
2	12V Charger	00801-0973	1	23	Headlight Assembly N/A	74370-92891	1	Decal Sheet	N/A	73210-0310	1
3	Right Ftbd Assy w/switch	74370-9239	1	24	Shock Set (banded)	74370-9329	1	Owners Manual	73210-0920	1	
4	<b>Wiring Harness Assembly</b>	<b>74290-97991</b>	1	25	PW Emblem	74460-9069	2	Small Parts Bag(purch parts)	N/A	73210-9139	1
5	Soundbox	74290-9559	1	<b>Hardware / Metal Parts</b>				Hardware Bag N/A	73210-9279	1	
6	<b>#7 Motor Gearbox Assm</b>	<b>00968-29012</b>	2	26	Axle (drive wheel)	74290-4509	1	Hardware Bag (sub)	73210-9289	1	
7	<b>Motor w/Pinion</b>	<b>74290-9539</b>	2	27	Axle (fork)	74290-4529	1	Lg Parts Bag(molded)	N/A	73210-9039	1
<b>Plastic / Other Parts</b>				28	Axle (front/rear wheel)	74290-4519	2	<b>Gearbox W/Out Motor 00968-2801 1</b>			
8	Body (N/A)	74370-2109	1	29	Bushing (hex)	73233-2559	4	Control Switch	00801-0873	2	
9	Large Wheel	74290-2159	2	30	Bushing (steering)	74370-2359	2	3/4 Plastite Screw	0912-8001	61	
10	Drive Wheel (Small)	74290-2269	2	31	Bushing (axle/silver)	74370-2379	2	Adhesive clip	0801-0313	1	
11	Saddle Bag	74290-2129	2	32	Bushing 7/16 (round)	74550-2689	2	Screw 8 x 1/2		5	
12	Front Fend & Gas Tank	73210-213A	1	33	.437 Cap Nut	0801-0226	6	<b>Footswitch 00801-0933 1</b>			
13	Seat	74290-2309	1	34	.354 Cap Nut	0801-0604	3				
15	Exhaust Set inner and out (banded)	3800-6698	1	35	Steering Stop	74370-2369	1				
16	Footboard / Left	74370-2249	1	36	Battery Retainer	74290-4419	1				
17	Driver	73233-2239	2	37	Mirror Clamp	75209-2429	2				
18	Frame set (L/& R) N/A	74370-9219	1	38	Mirror Housing Left	75209-2449	1				
19	Front Fork	75201-2349	1	39	Mirror Lens	75209-2469	2				
20	Fork Cover/clamp	74370-2389	1	40	Fender tip	75210-2419	1				
				41	Tail light cover	75210-2479	2				
				42	Tail light assm	75210-2299	1				

**Bold and Underlined parts are to be purchased and installed by Service Centers only. These items may not be sold directly to consumers by Service Centers or Fisher-Price.**

N/A = Not Available